

***Southwest Windpower, Inc.***  
Renewable Energy Made Simple

**Owners Manual**  
Installation, Operation and Maintenance



**WHISPER WIND GENERATORS**  
MODEL Whisper 100  
For the \*NEW\* Whisper Controller



***Southwest Windpower, Inc.***  
1801 West Route 66  
Flagstaff, Arizona 86001  
Phone: (928)-779-9463  
Fax: (928)-779-1485

Email: [info@windenergy.com](mailto:info@windenergy.com)  
Web page: <http://www.windenergy.com>

© January 2005 Southwest Windpower, Inc  
All Right Reserved

WIND GENERATOR SERIAL NUMBER \_\_\_\_\_

# *Southwest Windpower*

*Renewable Energy Made Simple*

## **Warranty policy for Whisper and AIR Wind turbines**

### **What Is Covered and For How Long**

**AIR Wind turbines:** Three years from the date of purchase, or:

**Whisper:** Two years from the date of purchase, or:

**Windseeker:** Two years from the date of purchase, or:

Two years and three months from date of build, any defective part will be replaced at no charge. Either a Southwest Windpower technician or an Authorized Service Center determines a defective part.

### **WHAT IS NOT COVERED**

- Damage due to lightning
- Damage due to extreme winds (110 MPH+; 60 m/s)
- Damage due to improper installation & operation (Including but not limited to – Poor tower design)
- Damage due to improperly wiring to batteries
- Damage resulting from contact with flying debris

### **LIMITATIONS AND EXCLUSIONS**

- 1) NO ONE HAS THE AUTHORITY TO ADD TO OR VARY THIS LIMITED WARRANTY, OR TO CREATE ANY OTHER OBLIGATION IN CONNECTION TO SOUTHWEST WINDPOWER AND ITS PRODUCTS UNLESS SPECIFICALLY ISSUED BY SOUTHWEST WINDPOWER.
- 2) ANY IMPLIED WARRANTY APPLICABLE TO SOUTHWEST WINDPOWER'S PRODUCTS IS LIMITED IN DURATION TO THE SAME PERIOD OF TIME AS THIS WRITTEN WARRANTY.
- 3) SOUTHWEST WINDPOWER IS NOT AND SHALL NOT BE LIABLE FOR INCIDENTAL, CONSEQUENTIAL, SPECIAL, OR CONTINGENT DAMAGES THAT ANY PERSON OR PROPERTY MIGHT SUFFER AS A RESULT OF ITS BREACH TO THIS WRITTEN AND OR IMPLIED WARRANTY.
- 4) THIS WARRANTY APPLIES TO THE ORIGINAL PURCHASER AND MAY BE TRANSFERRED.

### **The Customer's Responsibilities**

All of Southwest Windpower's products must be installed and operated in accordance to this owner's manual and local codes. Any modifications to the turbine system design will void the warranty and compromise the safety of the machine.

You should keep a copy of the invoice or canceled check to verify the purchase date. You will be responsible for removing the machine from the tower shipping the turbine to the repair center and re-installing.

### **If You Experience A Problem With Your Southwest Windpower Product**

Contact your nearest authorized service center or Southwest Windpower (928-779-9463) to determine the nature of the problem. Either Southwest Windpower or the Authorized Service Center will issue a return authorization number (RA number) before you return the turbine or send you the replacement parts needed to repair the machine. (Southwest Windpower or the Service Center will pay least cost return shipping back to the customer. If express is required, the customer will be required to pay the difference in freight charges.)

# ***Southwest Windpower, Inc.***

**Renewable Energy Made Simple**

## **Owners Manual**

**Installation, Operation and Maintenance**



**WHISPER WIND GENERATORS**  
**MODEL Whisper 100**  
**For the \*NEW\* Whisper Controller**

***Southwest Windpower, Inc.***  
**1801 West Route 66**  
**Flagstaff, Arizona 86001**  
Phone: (928)-779-9463  
Fax: (928)-779-1485

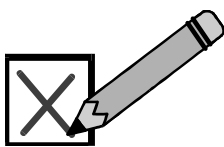
Email: [info@windenergy.com](mailto:info@windenergy.com)  
Web page: <http://www.windenergy.com>

© January 2005 Southwest Windpower , Inc  
All Right Reserved

WIND GENERATOR SERIAL NUMBER \_\_\_\_\_

# Table of Contents

<b>INTRODUCTION</b>	<b>3</b>
<b>1. TOWER INSTALLATION</b>	<b>7</b>
<b>2. BATTERY SELECTION</b>	<b>7</b>
<b>3. BATTERY CONFIGURATION AND LOCATION</b>	<b>8</b>
<b>4. SETTING WIND GENERATOR VOLTAGE</b>	<b>9</b>
<b>5. WIND GENERATOR ELECTRICAL TESTS</b>	<b>11</b>
<b>6. CONNECT WIRES AND MOUNT WIND GENERATOR TO TOWER</b>	<b>12</b>
<b>7. WHISPER CONTROLLER - MOUNTING</b>	<b>13</b>
<b>8. WHISPER CONTROLLER - WIRING</b>	<b>13</b>
<b>9. WHISPER CONTROLLER - DISPLAY INSTALLATION</b>	<b>15</b>
<b>10. INSTALL TAIL</b>	<b>16</b>
<b>11. INSTALL BLADES AND NOSE CONE</b>	<b>17</b>
<b>12. BECOMING FAMILIAR WITH THE WHISPER CONTROLLER</b>	<b>18</b>
<b>13. MAINTENANCE - MONTHLY</b>	<b>23</b>
<b>14. MAINTENANCE - ANNUAL</b>	<b>24</b>
<b>15. TROUBLESHOOTING AND REPAIR</b>	<b>26</b>
<b>16. MECHANICAL REPAIR AND REPLACEMENT</b>	<b>31</b>



## FOLLOW STEP-BY-STEP INSTALLATION

LOOK FOR THE SHADED BOXES AND FOLLOW THE STEPS IN ORDER. CHECK THE PROVIDED BOX WHEN COMPLETE.

## SUGGESTED TOOLS AND EQUIPMENT YOU WILL NEED

Round or Half Round File	Pliers
10mm or 3/8" Metal Cutting Drill Bit	Metric wrenches and sockets
Torque Wrench (20 Nm / 15 ft-lb)	Large Adjustable Wrench
Blue Loctite 242	Tubing or Pipe for Tower
Sawhorse	Hex Wrenches Set (metric)
Electrical Wire (see p. 6)	Ground Rod and Clamp
Electric Drill Motor	Soldering Iron and Solder
Pipe Insulation (to prevent wire "rattle" inside pole)	Electrical tape

## WELCOME TO YOUR RENEWABLE ENERGY SYSTEM!

### **ELECTRICITY FROM THE WIND AND SUN:**

Renewable electric power systems provide independent (no utility grid!) electric power for boats, homeowners, farms, villages and commercial applications such as telecommunications. If utility power is available, your renewable energy system can reduce the electric bill and with a battery system provide back up electricity during storms or line failure. The most common sources of renewable electric power in these systems are small wind powered generators and solar photovoltaic (PV) modules that convert sunlight directly to electricity. Renewable means power sources that do not deplete the world's finite fossil fuel resources, do not pollute or warm the atmosphere and do not generate hazardous waste. Electricity means your children can study at night for a better future and you can benefit from appliances, power tools and communication technologies that make life easier and more rewarding. Nearly three billion people in the world do not have electricity and by necessity most will ultimately get their electricity from renewable resources to the benefit of everybody. You are a pioneer and part of the solution!

### **BEFORE YOU BEGIN:**

Read this entire manual. Identify and note your model wind generator where it appears in this manual. Following the instructions and recommendations in this manual will help assure safe and enjoyable use of your new renewable energy system.

**SAFETY INFORMATION: These systems present mechanical, electrical and chemical (battery) hazards that can be life threatening. The tower or support structure could fall and cause injury or death and property destruction. A component of the wind generator could come loose causing injury or death and property destruction. Contact with the high speed propeller can result in severe injury or death. High voltage from the wind generator or the inverter can cause injury or electrocution. A severe chemical burn including blinding can occur from a battery explosion or contact with the sulfuric acid in a lead-acid battery.**

These conditions are addressed in the following safety messages:

**STOP! DANGER!** It is your responsibility to obtain all required permits and engineering certifications for your tower and tower location. Soil and wind conditions vary and towers and tower foundations must be designed for your specific location. Tower must not be able to fall on occupied buildings, neighbor's property or power lines. Tower climbing is dangerous and should be attempted only by experienced personnel using proper safety equipment. A fold-over tower can eliminate climbing. Locate your mounting mast (tower) well away from occupied buildings and power lines; a minimum of 100m (300 ft) is recommended.

**STOP! DANGER!** If the generator appears or sounds loose in the tower or is making an unusual sound, the condition must be corrected immediately. A loose generator or component will soon damage itself further and may fall from the tower or lose parts that could be lethal. Never stand in line with a spinning propeller.

**STOP! DANGER!** Provide climbing protection against all unauthorized persons or children. Never allow an untrained person or someone without the proper safety equipment to climb the tower. Always stop the propeller before climbing the tower. Both falling from the tower and contact with the spinning propeller can be lethal.

**STOP! DANGER!** High voltage systems (that is, systems with battery voltages of 64 volts and above or the primary side of any system with a transformer) represent a dangerous shock hazard and could be lethal. All high voltage systems should be wired and maintained by a qualified and licensed electrician.

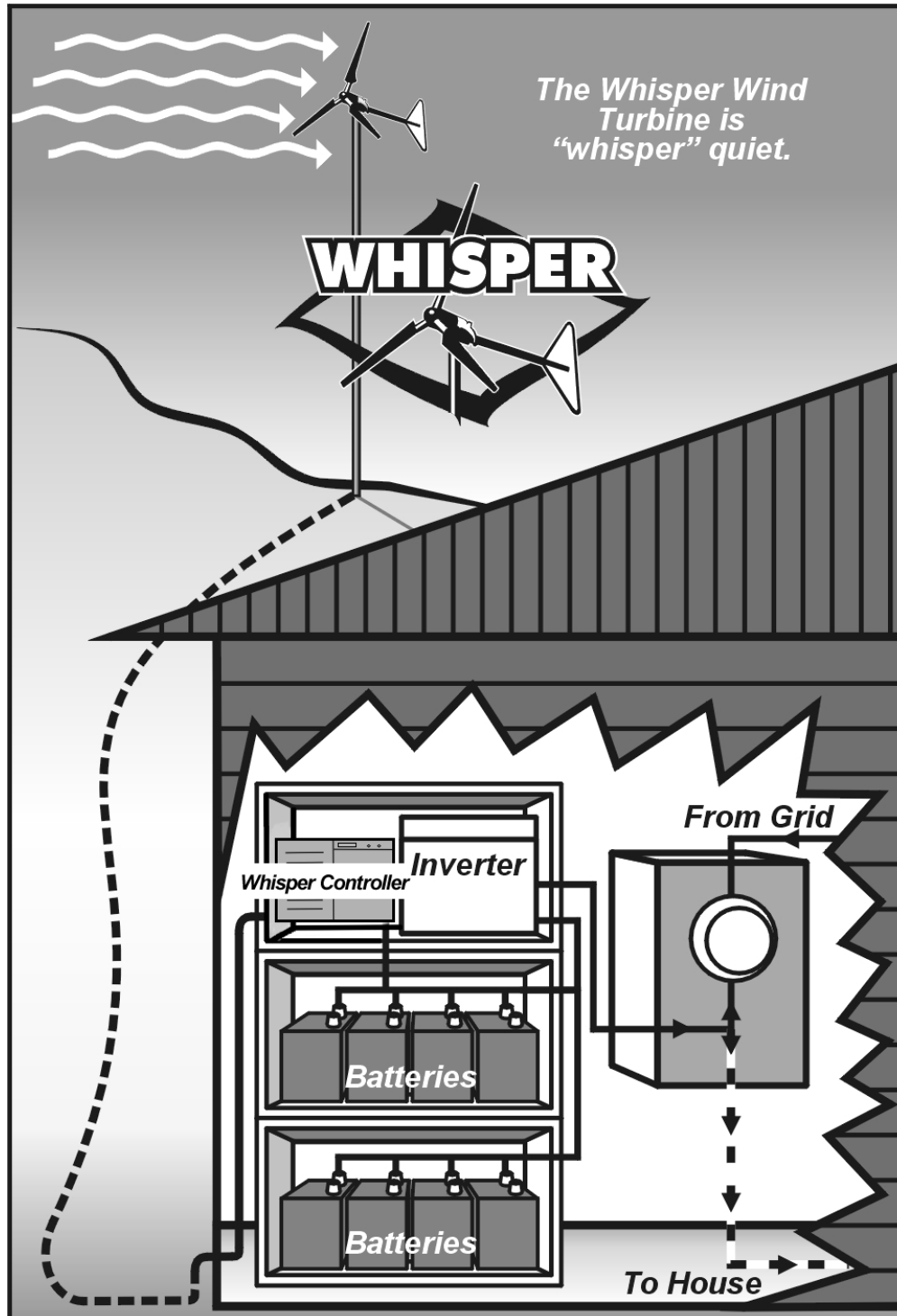
**STOP! DANGER!** Batteries may emit explosive and irritating gas while charging. Never turn on a light switch or make any other electrical connection or light a match or make any type of spark near a recently-charged battery. Use protective gloves and eyeglasses when working around a battery. Turn off all loads, wear safety glasses, and look away when making a final battery connection.

**STOP! DANGER!** NEVER place objects on top or near the Whisper-Controller enclosure. These devices must dissipate heat as part of normal operation. FAILURE AND FIRE may result if airflow is blocked.

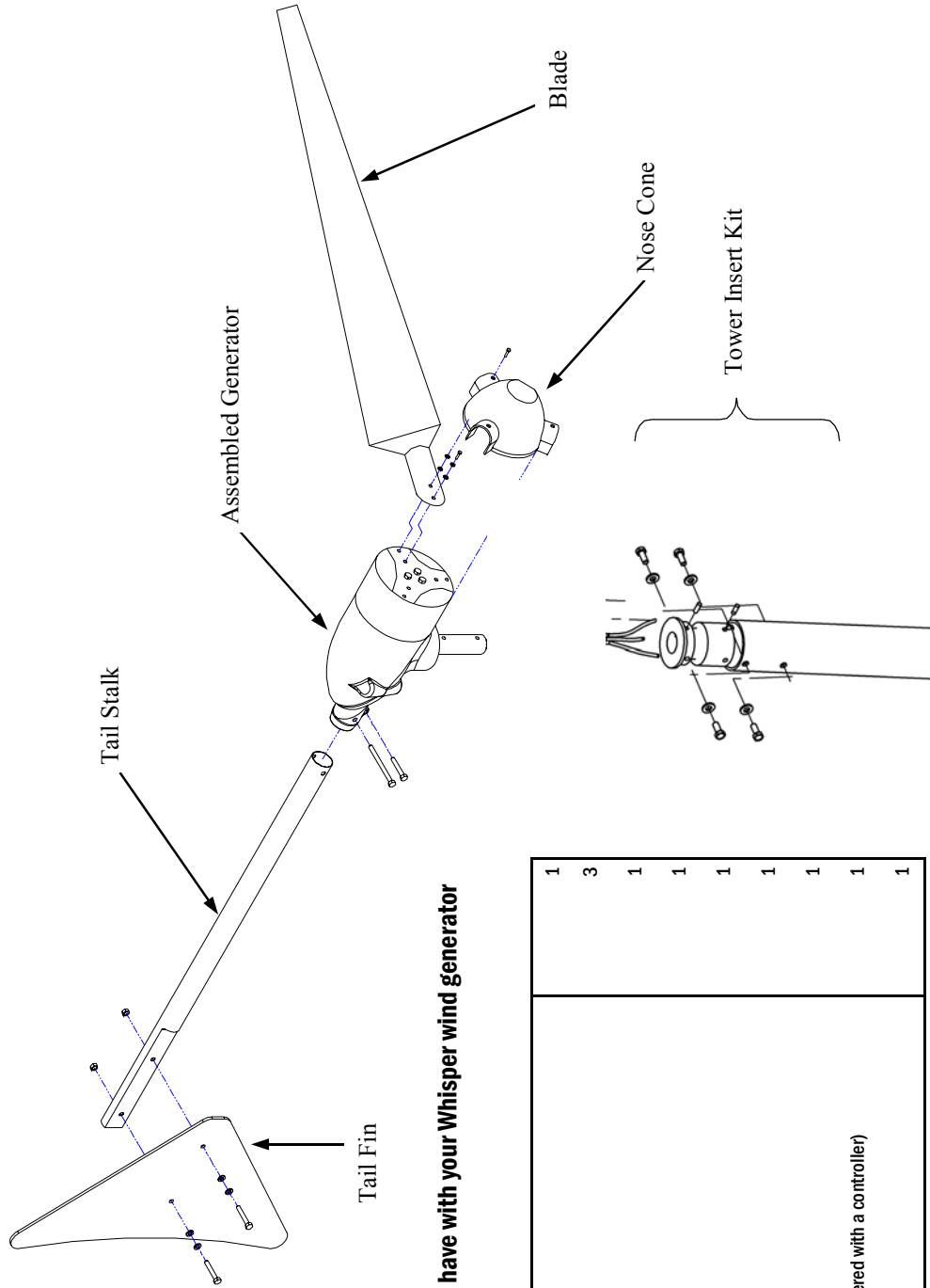
## DESCRIPTION OF SYSTEMS

The illustration below depicts a typical installation. For more information regarding specifications of wind, wind/solar and inverter systems, contact Southwest Windpower. Note that the illustration below is for information purposes only. See the appropriate section to properly wire your own wind system.

**Whisper Wind Generators** include the Whisper Controller System Center and the user supplies the battery, tower, inverter and wiring. During windless periods, solar panels may supplement your usage of renewable energy. Solar PV (photovoltaic) panels make electricity directly from sunlight. Batteries store electricity so you have power during windless and sunless periods as well as periods of high demand. A deep cycle type of battery must be used. If you have the wind generator only, use this manual to help size the battery and inverter.



**Overview of Wind Generator  
(Simplified Whisper 100 Shown Below)**  
See Page 29 for Complete Exploded View

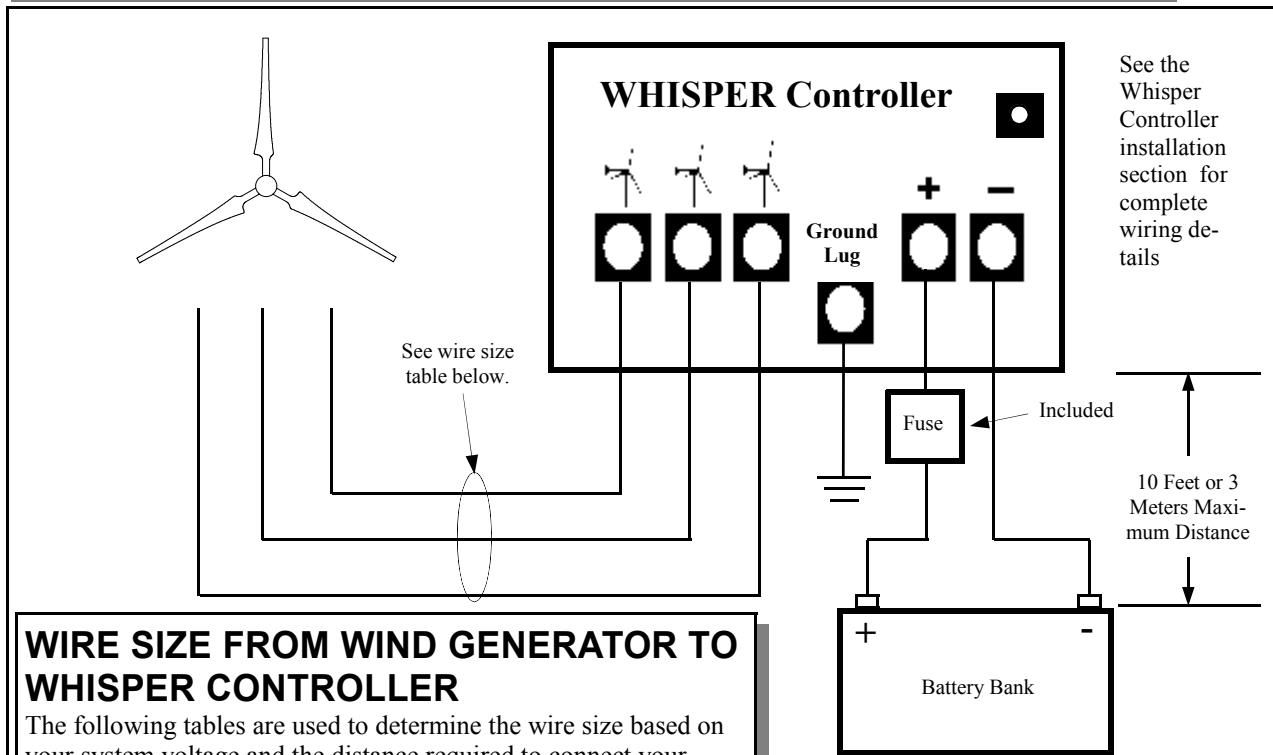


**What you should have with your Whisper wind generator**

Assembled Generator	1
Blades	3
Tail Fin	1
Tail Stalk	1
Nose Cone	1
Tower Insert Kit	1
Hardware Kit	1
Whisper Controller (if ordered with a controller)	1
100 amp Fuse	1

## Typical Renewable Energy System Wiring

You will need to make the electrical connections as shown below.



### WIRE SIZE FROM WIND GENERATOR TO WHISPER CONTROLLER

The following tables are used to determine the wire size based on your system voltage and the distance required to connect your Whisper 100 to the WHISPER Controller. Distances are one way distances from the turbine connection to Whisper Controller

	VOLTS	12	24	36	48
COPPER WIRE SIZE	<b>FEET</b>				
	AWG 12	xx	xx	108	216
	10	xx	xx	173	346
	8	xx	138	276	552
	6	xx	218	436	872
	4	84	339	678	1356
	3	136	542	1084	2168
	2	170	682	1364	2728
	1	216	860	1720	3440
	0	274	1098	2195	4390
	2/0	342	1364	2727	5454
	3/0	434	1730	3462	6924
4/0	546	2177	4355	8710	

	VOLTS	12	24	30-36	48
COPPER WIRE SIZE	<b>METERS</b>				
	AWG 12	xx	xx	xx	66
	10	xx	xx	53	106
	8	xx	42	84	168
	6	xx	66	133	266
	4	26	103	207	414
	3	42	165	330	660
	2	52	208	416	832
	1	66	262	524	1048
	0	82	335	669	1338
	2/0	104	416	831	1662
	3/0	132	528	1055	2110
4/0	166	664	1327	2654	

\*If using aluminum wire, one should multiple the distances in the table by 0.65.

#### Inch to Metric Conversion — AWG

AWG SIZE	14	12	10	8	6	4	3	2	1	0	2/0	3/0
Diam inches	0.064	0.081	0.102	0.129	0.162	0.204	0.229	0.258	0.289	0.325	0.365	0.409
Diam mm	1.628	2.057	2.591	3.277	4.115	5.182	5.817	6.553	7.341	8.255	9.271	10.389



# 1. TOWER INSTALLATION

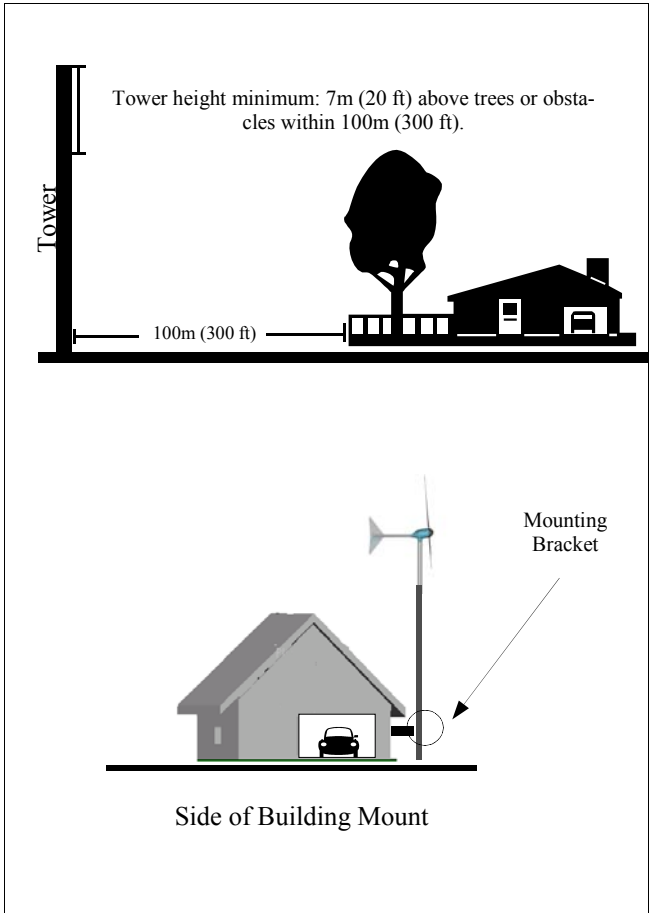
## 1. TOWER LOCATION/TYPE AND HEIGHT. INSTALL TOWER

*(Install tower following manufacturer's instructions.)*

Tower height minimum is 7 meters (20 feet) above trees or obstacles within 100m (300ft). The highest point on your property is generally best, but wind generator distance to battery and the battery voltage determine the correct wire size (Refer to wire size table pg. 6). A self supporting tower occupies less ground area than a guyed tower but is more expensive. A tilt-up design permits easy installation and maintenance on the ground and eliminates the need for climbing.

The Whisper 100 is suitable for side-of-building mounting on **unoccupied** buildings such as garage or barn. Some vibration transmission will be noticeable from mounts to structure. Foundations must be designed and approved for local wind/soil conditions.

**Consult with a professional engineer to determine proper type and location of tower installation.**



# 2. PURCHASE BATTERIES OF PROPER SIZE.

*See Table below for minimum battery size.*

## MINIMUM BATTERY SIZES

Wind Generator Model	Whisper 100
Battery System Volts	12, 24, 36, 48
Minimum Amp x Hours (20 hour rate)	200
Min. kwh (Volts x Amps x Hours/1000)	4

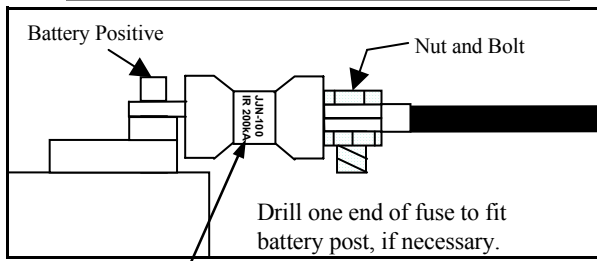
### 3. CHOOSE BATTERY LOCATION

Locate battery in moderately stable room temperature, dry unoccupied building. Battery performance is optimal at room temperatures. Run AC power from inverter to house or load. If battery is in an occupied building, an enclosure with vent to outside is required. Follow code. See the following diagrams for package system series/parallel arrangement.

Determine series/parallel arrangement and construct a rack or mount from heavy, treated lumber, or other suitable material. Allow 5 cm (2 in) on all sides for ventilation. Allow 60 cm (2 ft) vertical clearance for access to terminals and checking water.

Coat all connections with grease or corrosion protector available at auto parts store. Install **Whisper Controller** and Inverter fuse (if used) at battery positive. To minimize the possibility of EMI (electromagnetic interference), the line from the battery to the **Whisper Controller** should be less than 10 feet (3 meters).

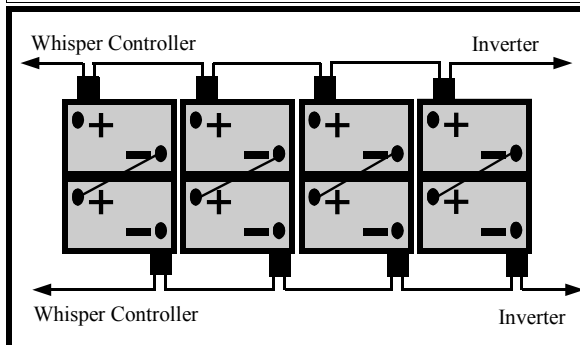
#### Recommended Battery Fuse Installation (Consult local electrical codes)



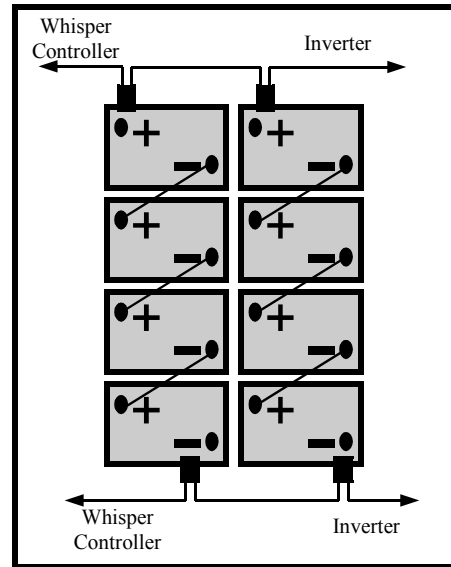
Fuse Included

Use the diagrams below to determine the series/parallel arrangement for your system voltage (typical 6 volt battery arrangement shown).

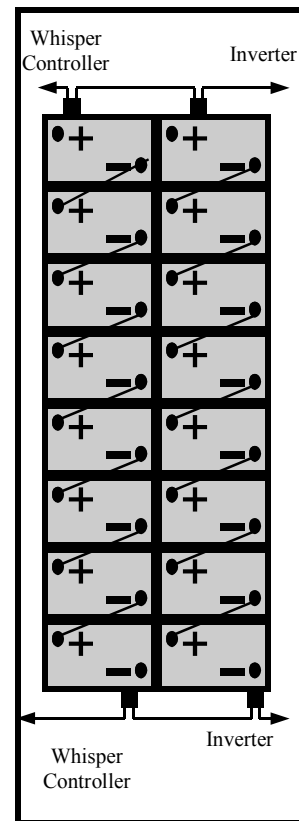
#### 12 Volt Configuration



#### 24 Volt Configuration



#### 48 Volt Configuration



## 4. SETTING WHISPER VOLTAGE

### Introduction

The Whisper 100 Wind Generator must be configured for the correct system voltage - 12, 24, 36 or 48 volts. All Whisper Wind Generators are shipped from the factory configured for 24 volt operation unless specially ordered.

To check the voltage configuration or to change the configuration, refer to the following notes and wiring table. Your Whisper Dealer may also be of assistance configuring your Wind Generator to the voltage for your application if different from 24 volts.

### Wiring and Assembly Notes

The correct Whisper 100 voltage is set by altering the 12 stator wire and 3 brush wire connections. The wire connections are made using appropriate size wire nut connectors. To access the wire nuts remove the metal cover on the side of the Whisper turbine housing. Refer to the following Voltage Configuration Wiring Table for specific stator and brush wire connections.

Observe the following notes when changing the voltage configuration:

- The three brush wires are interchangeable and are not labeled. The brush wires are easily identifiable as they are larger multi-strand wires and stator wires are solid wire. ( 8 awg compared to 20 awg).
- Stator wires are numbered and color coded with a wire sleeve. For example stator wire "Red 3" has a red sleeve with the number "3" printed on it. Wire "Red - " has a red sleeve with no number. The "-" indicates there is no number. There is a "Red - ", "White - ", and "Black -" stator wire.
- When changing the voltage configuration cut off the twisted ends of the wires (stator wires only) and strip off approximately 25mm (1 inch) of insulation.

#### Important Note:

In addition to the PVC insulation, the stator wires are also coated with varnish that MUST be removed to make a good connection. The varnish can be removed by scraping with sharp edge or lightly sandpapering the wire.

- Hold the stripped ends of the wires to be joined parallel to each other and twist together with pliers before installing the wire nut. The wires should be twisted in a clockwise direction.
- Cut off the "untwisted" ends of the wires and twist on the appropriate color wire nut. Push hard on the wire nut while twisting clockwise.
- Coat wire nuts and terminal strip connections with dielectric grease to protect wires against corrosion. A tube of dielectric grease is supplied with each Whisper 100.

## Voltage Configuration Wiring Table

Reference the following table to determine the correct brush and stator wire connections for your voltage configuration. Note the correct color (size) wire nut is indicated for each connection.

See the preceding page for specific wiring directions.

Voltage	Red Wire Nuts			Yellow Wire Nuts			Orange Wire Nuts				
	Brush Wire	Brush Wire	Brush Wire								
12 Volt	White 1	Red -	Black 1	Yellow Wire Nuts	White -	White 2	Orange Wire Nuts	White 2	Orange Wire Nuts	Black 2	
	White 3	White -	Red 1		Red 3	Red 1		Red 3		White 3	
	Black -	White 2	Red 3		Black -	Black 2		Black 2		Red 2	White 2
	Black 2	Red 2	Black 3		Black 3	Black 3		Black 3		Red 3	White 3
24 Volt	Brush Wire	Brush Wire	Brush Wire	Yellow Wire Nuts	Brush Wire	Brush Wire	Orange Wire Nuts	White 2	Orange Wire Nuts	White 2	
	White 1	Red -	Black 1		White -	Black 1		Red 1		Red 2	White 2
	White 3	Red 2	Black 3		Red 3	Black 1		Black 2		Red 3	White 3
					Black -	Black 3		Black 3		Red 3	White 3
36 Volt	Brush Wire	Brush Wire	Brush Wire	Yellow Wire Nuts	Brush Wire	Brush Wire	Orange Wire Nuts	White 2	Orange Wire Nuts	White 2	
	White 1	Red -	Black 1		White -	Black 2		Black 2		Red 2	White 2
	Black -	White -	Red 1		Red 3	Black 3		Black 3		Red 3	White 3
					Black -	Black 3		Black 3		Red 3	White 3
48 Volt	Brush Wire	Brush Wire	Brush Wire	Yellow Wire Nuts	Brush Wire	Brush Wire	Orange Wire Nuts	White 2	Orange Wire Nuts	White 2	
	White 1	Red -	Black 1		White -	Black 2		Black 2		Red 2	White 2
					Red 1	Black 3		Black 3		Red 3	White 3
					Black -	Black 3		Black 3		Red 3	White 3

# 5. WIND GENERATOR ELECTRICAL TESTS

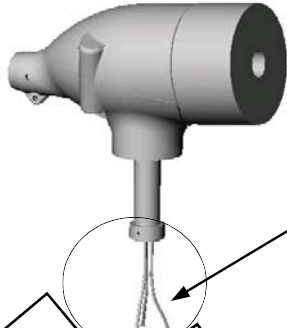
Complete these tests before mounting blades to rotor.  
These tests confirm that the wind generator was not damaged in shipment and is ready to install on the tower.

### GROUND TEST



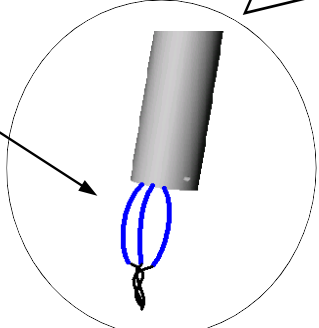
Check resistance to ground on any wire. Resistance must exceed 10,000 ohms.

### OPEN CIRCUIT TEST



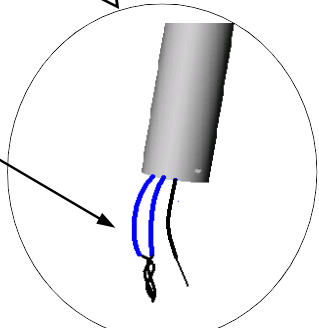
When the wires are unconnected the wind generator rotor should spin freely.

### SHORT CIRCUIT TEST



When all the wires are shorted together the generator rotor should turn hard and smooth.

### PHASE TO PHASE TEST



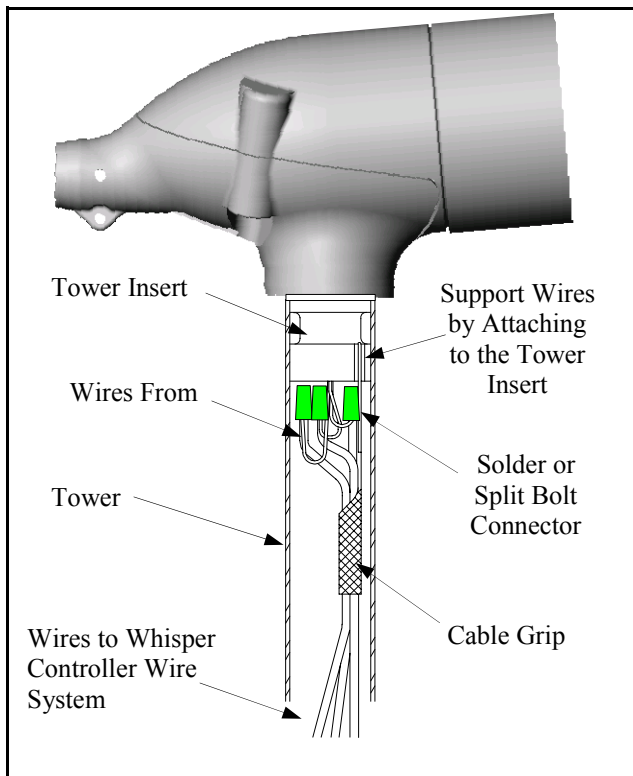
When any two wires are shorted together the generator rotor should turn lumpy as though there are smooth and bumpy portions of the rotor

## 6. CONNECT WIRES AND MOUNT WIND GENERATOR TO TOWER

### Mounting Instructions

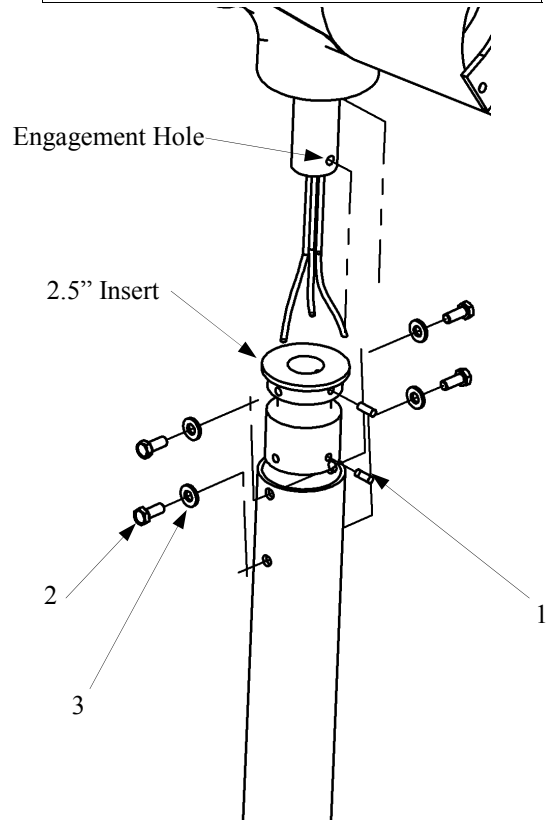
Check fit of insert by placing it inside the tower. A maximum of 1.5 mm (1/16 in) play is allowed. You must be able to pull pipe or tube tight against insert with mounting bolts. Next, using the template supplied on the last page of this manual, drill holes in the tower tube. Check to see that the holes in the tower line up with the threaded holes in the insert. Install insert on yaw shaft with slot facing down. The slot is used for tower cable grip strain relief. Use medium-strength thread locking compound on all fasteners. M6 X 20 Allen head set-screws must engage both engagement holes in yaw shaft.

Solder or use split bolts to make electrical connections. **A good wire connection is crucial.** Any wind generator wire can go to any tower wire. Wrap connections thoroughly with electrical tape to prevent shorts to tower. Support wires to avoid weight on slip ring wires and wire connections. Slide generator without propeller into tower and install mounting hardware as shown. Make sure the top flange of the tower insert is resting on the top end of the tower pipe. Insert and torque all four insert mounting bolts (M8 x 35mm) to 10-11 ft-lb. (12-14 N-m) repeating any tightening sequence used at least four times. As an option, the tower tube may be insulated with pipe insulation to prevent the wires from rattling.



### Tower Insert Kit

For 2.5 Schedule 40 Pipe (2.875 O.D. x .20Wall)



Item	Description	2.5" QTY
1	Set Screw (M6 X 20)	2
2	Bolt M8 X 35	4
3	M8 SS Nylock Nut	4

## 7. WHISPER CONTROLLER - MOUNTING

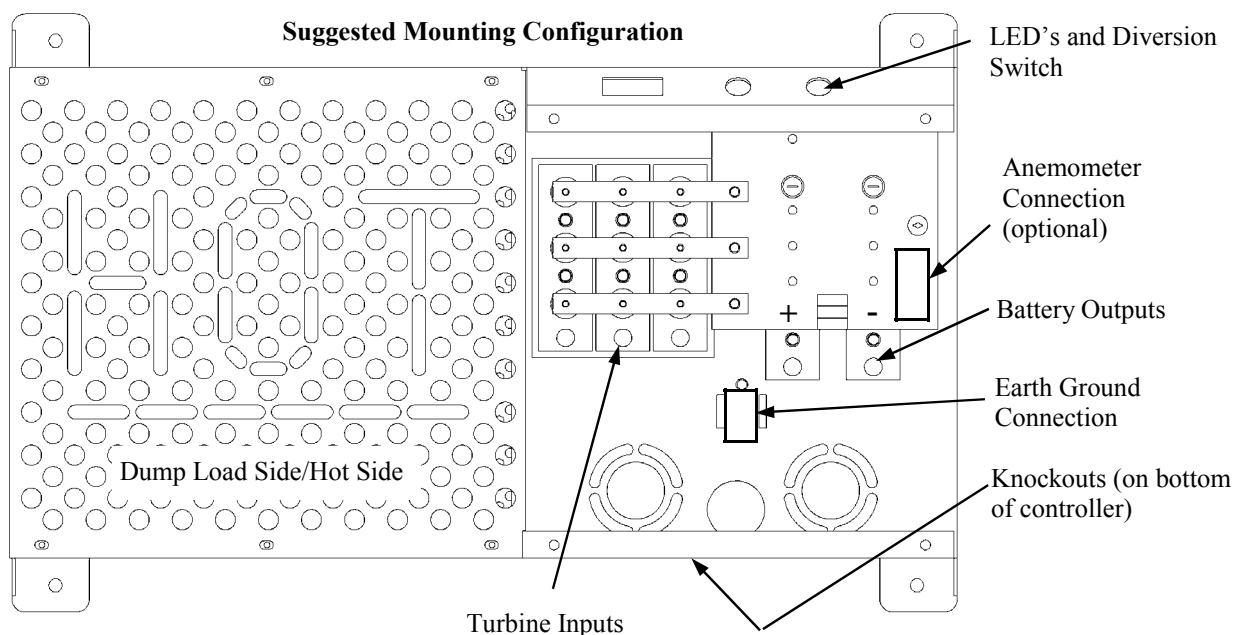
### PRELIMINARY MOUNTING INSTRUCTIONS FOR WHISPER CONTROLLER

Please note that for preliminary turbine to controller tests, it may be convenient to temporarily mount the Whisper Controller close to Wind Turbine. This will allow the user easy access to the controls and displays while testing the turbine and controller functionality. The temporary mounting location may be used as the permanent location if desired, however, please observe the following recommendations for mounting the controller. The tests should be performed prior to mounting the blades.

#### Mounting

The Whisper Controller must be mounted vertically with the LEDs and Diversion Switch to the top. Vertical mounting is required to provide good heat convection for the resistor bank (dump load). Since the dump load side of the controller may get very hot, do not mount the unit near anything flammable or heat sensitive.

Conduit knockouts on the bottom of the controller unit accommodate 0.75", 1.25", and 1.5" nominal size conduit. An earth ground connection terminal is provided inside the controller between the turbine and battery mounting blocks.

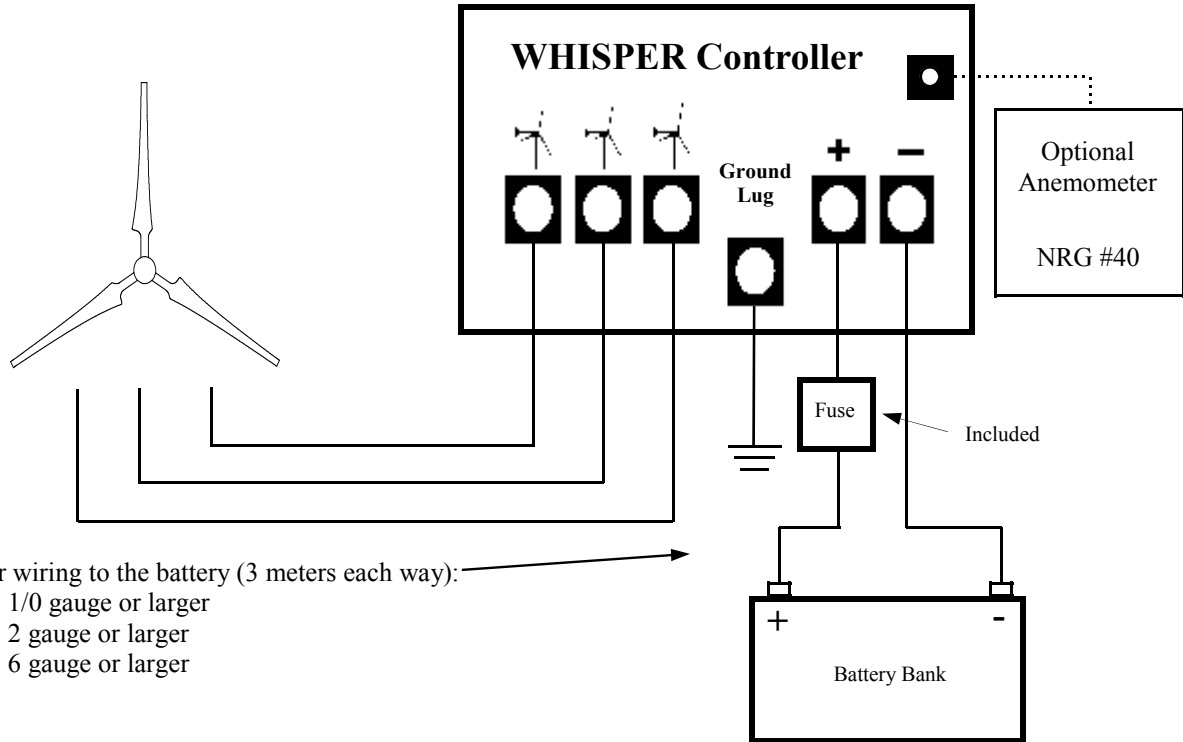


## 8. WHISPER CONTROLLER - WIRING

#### Connecting

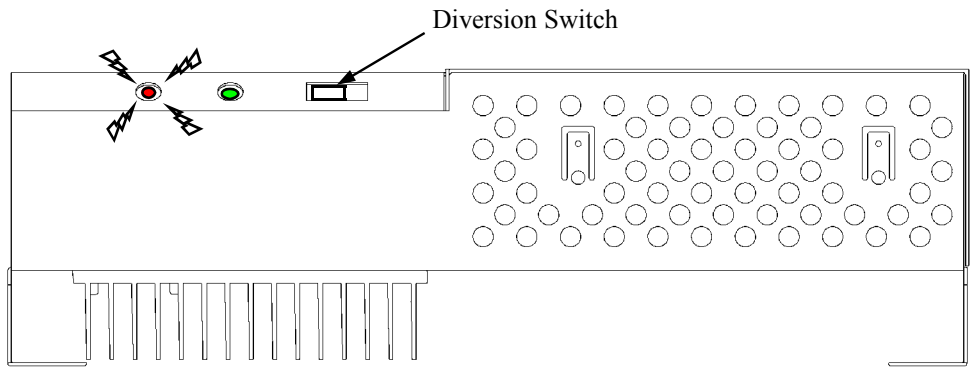
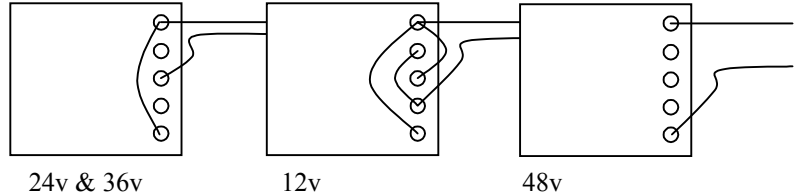
Connect the battery and grounding wires as shown in the schematic on the next page. **Caution: connect the Controller to the batteries BEFORE connecting to the turbine, otherwise the Controller will be damaged.** Please use caution when connecting the battery leads to avoid shorting them together. After connecting the battery, check that the microprocessor is energized correctly by flipping the Diversion Switch to the stop position. The red LED should illuminate. If not, disconnect the battery and reconnect it. Return the diversion switch to the battery position and observe the red LED to turn off. Try not to allow the connection to “bounce” causing the microprocessor to power up and then power down quickly. This kind of quick on-off cycle can cause the microprocessor to latch up. If it latches and the Red LED is unresponsive, contact Southwest Windpower for instructions on resetting the microprocessor.

## Whisper Controller Wiring Diagram



Wire size for wiring to the battery (3 meters each way):  
 12V system: 1/0 gauge or larger  
 24V system: 2 gauge or larger  
 48V system: 6 gauge or larger

**Dump Load Wiring**  
 Make sure the Controller is wired correctly for the voltage of your turbine.



Once startup is successful and the red LED can be cycled by toggling the Diversion Switch, then set the switch to "Stop" (Red LED on) and connect the turbine wires to the controller (order of the turbine wires is not important). If the Red LED is on, the turbine will not spin as long as at least two of its wires are connected. For further operational information refer to Whisper Operation on page 16.

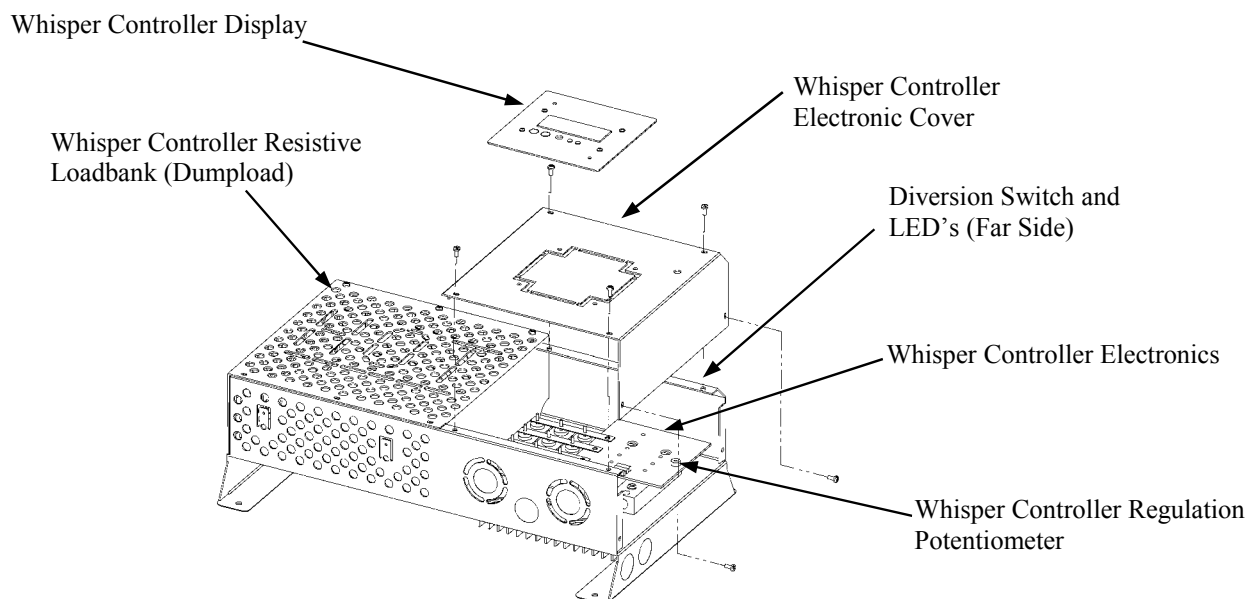
### Optional Anemometer Connection

The Whisper Controller has been designed to accommodate a Model #40 anemometer, manufactured by NRG. Other equivalent anemometers may work, compare manufacturers specifications. Terminal blocks on the circuit board are the connection points for the two anemometer signal wires. A ground shield (if applicable) should be connected to the controller's grounding terminal. Either wire from the anemometer may connect to either terminal on the terminal block.

For best results the anemometer should be mounted on the turbine tower as near as possible to the turbine without entering the turbine's sphere of operation. See the manufacturer's recommended installation instructions.



## Whisper Controller Components



### 9. DISPLAY INSTALLATION—OPTIONAL

The optional display was designed to be mounted either on the Whisper Controller base unit, or in a wall type switch receptacle. Hardware is provided with the display. There is a short ethernet CAT5 cable provided for Controller base installation.

#### Local Display Installation

If the display is to be mounted directly on the Whisper Controller you will need to remove the electronics cover and knock out the sheet metal insert where the display will mount. There are pre-drilled holes to mount the display. Use the provided 8-32 x 3/8", black oxide, stainless steel screws, and 8-32 nuts with captive star washers to mount the display to the electronics cover.

Connect the display cable to the CAT5 jack located nearest the diversion switch. This will indicate to the display that it is locally mounted and it will disable its LED features, since these are redundant to those mounted on the Whisper Controller base. Leave the cover off until the display function is verified.

#### Remote Display Installation

The display may be located in a remote location (up to 300 meters / 1000 feet) away from the Whisper Controller. Use Category 5 ethernet cable will have to be purchased. Install the display in the desired location and connect the ethernet cable to the display unit.

Remove the electronics cover on the Whisper Controller. If necessary, knock out one of the sheet metal plugs in the Whisper Controller base unit and route the ethernet cable inside the unit. Plug the ethernet cable into the jack in the lower right corner of the controller board. Leave the cover off until the display function is verified.

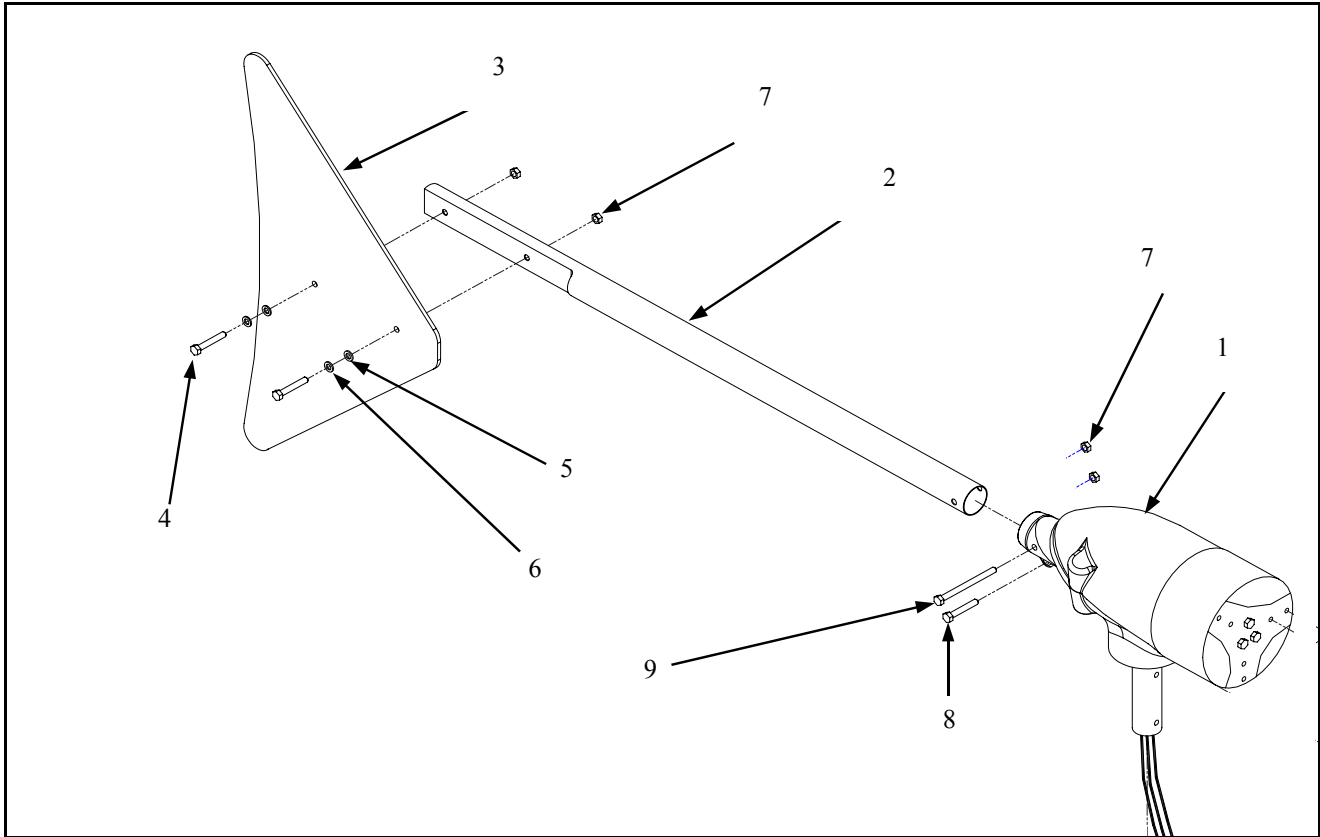
#### Display Function Verification

Once the display is plugged into the controller base and the batteries are connected to the controller there should be text displayed on the LCD display. If the display is blank there is a contrast adjusting potentiometer that can be adjusted to brighten the display. Insert a bladed screwdriver into the hole on the display between the buttons and the LEDs. Turn the potentiometer to adjust the brightness. If a display is still not visible disconnect and reconnect the cable to the display to reset the display. Once display function is verified re-install the electronics cover on the controller base.

The system wiring is now complete. Proceed to assembling the turbine and mounting blades to rotor.



# 10. INSTALL TAIL



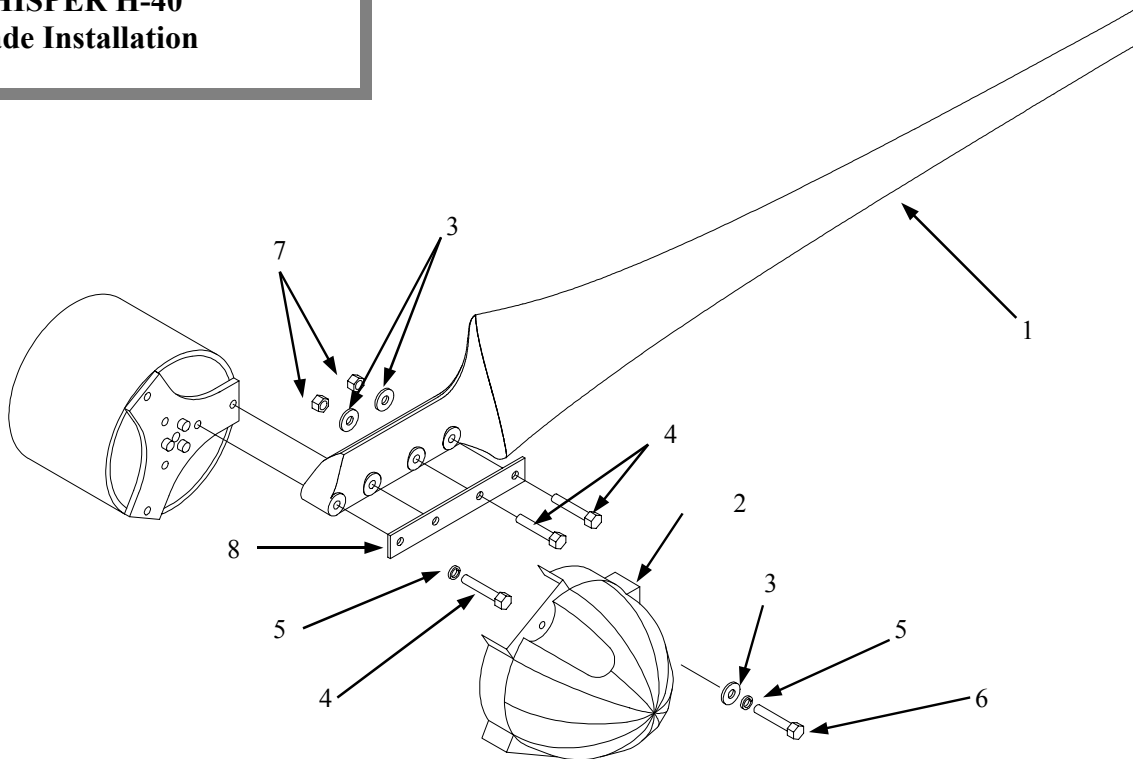
Item Number	Description	Quantity
1	Assembled Generator	1
2	Tail Stalk	1
3	Tail Fin	1
4	Hex Bolts, M8 x 55	2
5	Nylon Washer, M8 X 31	2
6	SSTL Washer, M8 x 24	2
7	Nylock Nut, M8	4
8	Hex Bolt, M8 x 25	1
9	Hex Bolt, M8 x 70	1

## 11. INSTALL BLADES AND NOSE CONE

### INSTALL BLADE AND NOSE CONE. DIVERSION SWITCH IN "STOP" POSITION.

1. Flat (ribbed) side of blade lays against rotor front plate.
2. Use thread locking compound (Loctite 242 or equivalent) on all bolts.
3. Loosely install all items except Item 2 (Nose Cone). Insure that Item 8 (blade strap) is contacting the top portion of the blade as shown below.
4. Start by installing outboard hardware 4 (Bolt, M8 x 50) , 3 (Flat Washer, M8 x 24), and 7 (Nylock Nut, M8). Install Items 4 (Bolt, M8 x 50) and 5 (Lock Washer, M8) on innermost rotor bolt circle. This inner bolt circle will be covered by Item 2 (Nose Cone) in step 6.
5. Torque all Item 4 (Bolt, M8 x 50) to 8 ft/lbs (11Nm). Do not over-tighten.
6. Install Item 2 (Nose Cone) using Item 3 (Flat Washer, M8 x 24), 5 (Lock Washer, M8), and 6 (Bolt, M8 x 55).
7. Torque remaining bolts to 8 ft/lbs (11Nm).

### WHISPER H-40 Blade Installation



Item	Description	Quantity
1	Blade	3
2	Nose Cone	1
3	Flat Washer, M8 x 24	9
4	Hex Bolt, M8 x 50	9
5	Lock Washer, M8	6
6	Hex Bolt, M8 x 55	3
7	Nylock Nut, M8	6
8	Blade Strap	3

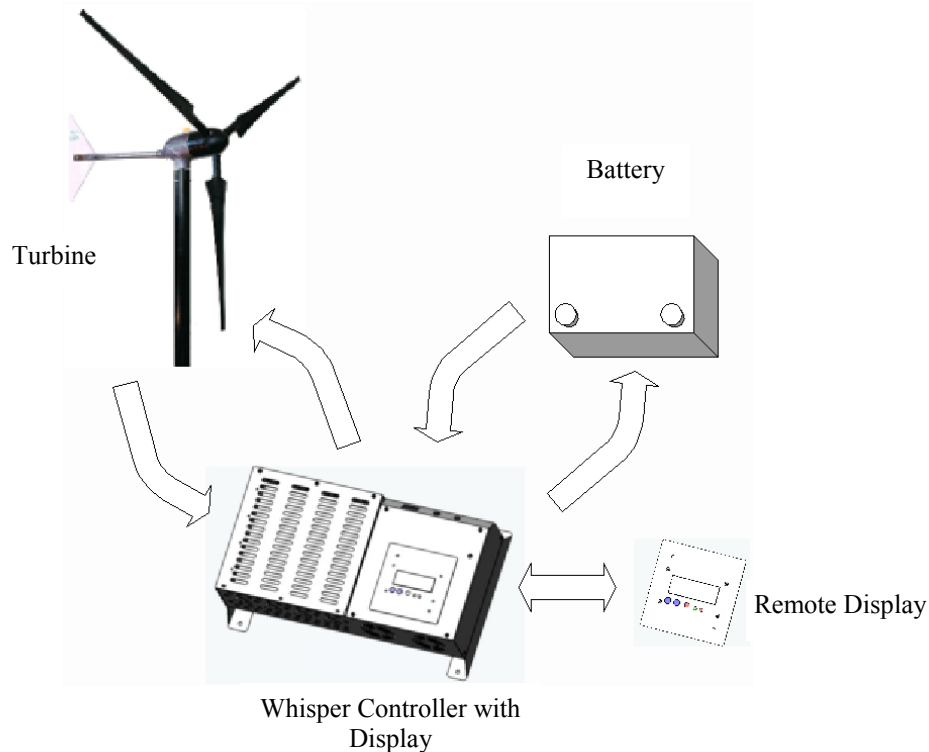
## 12. BECOMING FAMILIAR WITH THE WHISPER CONTROLLER

### 1. Normal Operation – Whisper Controller Overview

The Whisper Controller is a one or two part system specifically designed to control the operation and convert the power of a Southwest Windpower Whisper 100 or 200. Its basic functions are rectification, regulation, and resistive power dumping. However, to best accommodate many individual customers, the Whisper Controller offers many features and adjustable operation parameters.

The main Whisper Controller block (hereafter the “Controller”) is a functionally autonomous unit. The Controller contains all of the Whisper turbine’s power electronics including rectification and load diversion. Additionally, it continuously monitors voltage, current, energy production, and wind speed (if equipped). These parameters are measured to ascertain system parameters (i.e. battery voltage) and turbine state (i.e. whether power is being generated).

The auxiliary Whisper Controller Display block (hereafter the “Display”) offers an interface to the many operational parameters and system measurements of which the Controller is capable. It can be mounted at the Controller or in a remote location or (with two Displays) both places. From the Display, instant and easy access is gained to voltage, current, power, energy, charge, peak power, and wind speed (with optional anemometer).

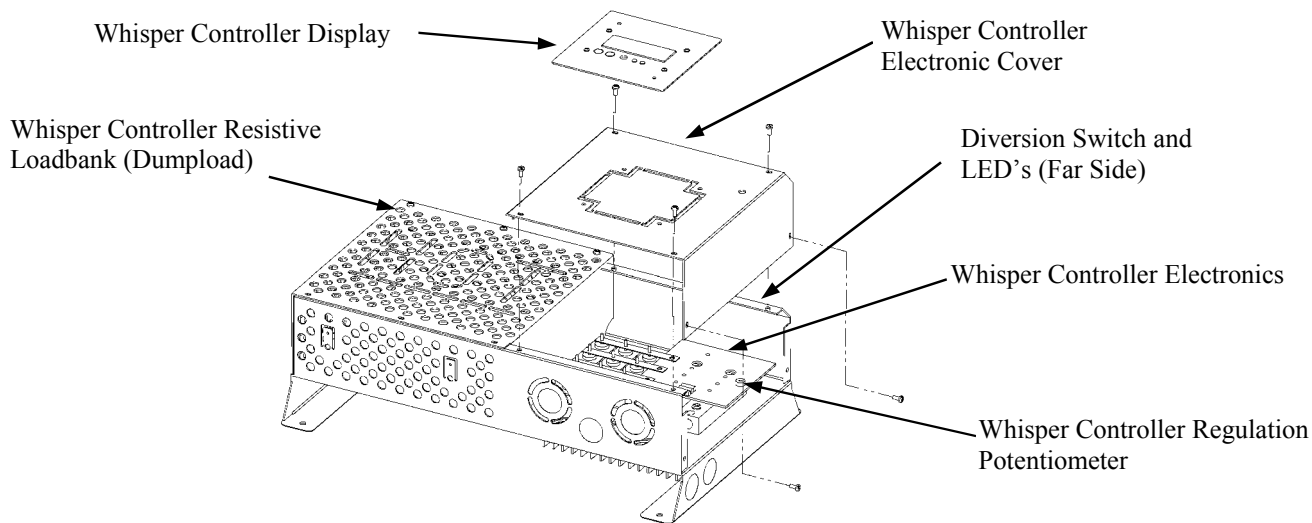


### 2. Normal Operation – Whisper Controller

The Whisper Controller provides all of the necessary functions and displays for safe and productive turbine operation. It includes interface features for setting the regulation voltage, monitoring the state of the system, and manually disabling battery charging. The interface mechanisms of the Whisper Controller are the LED Display, the Diversion Switch, and the Regulation Adjustment.

### 3. Diversion Switch

The diversion switch is located on the top of the controller to the left of the LEDs. This switch will divert turbine power to the dumpload to keep the batteries from being charged. **While this switch does not necessarily stop a spinning turbine,** once the turbine has stopped, this switch will keep it from spinning. Therefore, it should be noted that in most situations this switch can be used as a stop switch; however, spinning blades with an activated diversion switch is a normal and safe operational state.



### 4. LED Operation

In short, the Red LED indicates that turbine power is being diverted to the dumpload and the Green LED indicates that the turbine is spinning and the battery is being charged. The LED operation is detailed in the tables below.

#### Red LED operation description

State	Interpretation
Off	Available turbine power directed to battery.
Blinking	Available turbine power directed to dumpload for battery regulation.
On	Available turbine power directed to dumpload by operator request (via either Diversion Switch or remote Display).

#### Green LED operation description

State	Interpretation
Off	No charge is going to the batteries; either the windspeed is too low or power is being diverted (see Red LED).
On	The batteries are being charged.

### 5. Setting Regulation Voltage (without Display)

The battery voltage at which the controller begins regulating the battery (i.e. diverting power to the dumpload) can be adjusted by turning a potentiometer on the controller's circuit board. The potentiometer is accessed by removing the Whisper Controller electronics cover. When the controller measures a battery voltage above the regulation voltage for more than approximately one minute, it begins diverting power. If the controller measures a battery voltage below the Release Voltage for approximately one minute it will stop diverting power and start charging the battery again. When replacing electronics enclosure cover, do not over-tighten screws. The controller will automatically determine the proper nominal voltage.

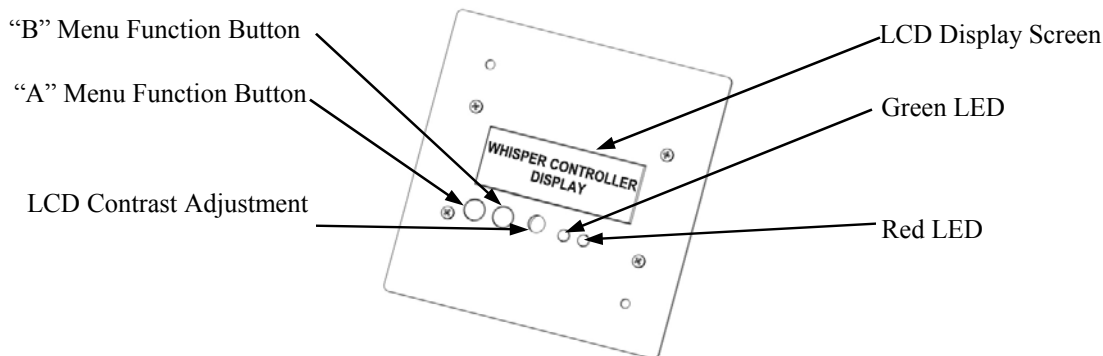
**Before you adjust the regulation setpoint understand that turning up the regulation voltage will not increase the turbine's output voltage or current.** This setpoint only adjusts the "shut down" voltage for battery charging. Over-charging will significantly reduce a battery's life expectancy.

Pot Position	Regulation Off Voltage				Regulation On Voltage			
Full Turn CCW	12.0V	24.0v	36.0v	48.0v	13.0V	26.0v	39.0v	52.0v
Turn ¼ CCW	13.0V	26.0v	39.0v	52.0v	14.0V	28.0v	42.0v	56.0v
Factory Preset	13.4V	26.8v	40.2v	53.6v	14.4V	28.8v	43.2v	57.6v
Turn ½ CW	14.0V	28.0v	42.0v	56.0v	15.0V	30.0v	45.0v	60.0v
Turn ¾ CW	14.0V	28.0v	42.0v	56.0v	16.0V	32.0v	48.0v	64.0v
Full Turn CW	14.0V	28.0v	42.0v	56.0v	17.0V	34.0v	51.0v	68.0v

## 6. Whisper Controller Display

### Normal Operation – Whisper Controller Display

The Whisper Controller Display adds a tremendous set of features to your Whisper wind turbine system. Controller measurements can be monitored and operational parameters can be adjusted. Take the time to learn about your Whisper Controller Display to take advantage of its many features.



### LED Display

Functionally, the Display unit's LEDs operate the same as the Controller's LEDs (see Section 11:4 - LED Operation, page 17). Due to communication lag times, there may be subtle difference in these two sets of LEDs. Therefore, it is recommended that if the Display is mounted in the lid of the Controller, that the Display be plugged into the Controller board jack in the lower right corner of the Controller board. This will automatically disable the Display's LEDs. The Controller board jack closest to the Diversion switch should be used for a remotely mounted display.

### LCD Contrast Potentiometer

The contrast potentiometer can be accessed through the cover of the Display unit via a hole situated between the buttons and the LEDs. The pot is optimized at the factory for room temperature operation; however, deviations from room temperature can cause the LCD to appear too dark or too light. Carefully insert a screwdriver through the display lid and turn the potentiometer counter-clockwise to increase the darkness of the LCD.

### Display Operation Overview

The basic navigational structure of the display pages are rings with the structure shown in the figure on page 20. Each of the menu pages in this main ring structure is an access point for various controller and display settings. The "A" and "B" *Function* buttons scroll between the menu pages, or change parameters on the menu, or sub-pages. The Reference Numbers in the following paragraph headings refer to menu pages shown in the table on page 19.

#### Main Page (1)

When first connected, the Display begins with the Main Page. The Main Page displays all of the Controller's measured parameters, including battery charging status, windspeed, charging voltage, battery charge current, and turbine power.

There are four sub-pages associated with this page. From the Main Display the "A" Function button moves through the Energy and History menu pages. From the Main Display the "B" Function button moves through the Mode and Regulation menu pages.

#### Energy Page (2)

Displayed on the Energy page is the accumulated kilowatt and kiloamp hours since the last reset. These can be reset from the reset sub-menu. The leftmost numbers are reset at the factory. From the Energy page the "A" menu button will go to the History page. The "B" menu button will go to the Energy Reset page.

#### History Page (3)

Displayed on this page are the average and peak windspeed and turbine power since the last reset. Windspeed is only available if the optional anemometer is installed. Both of these readings can be reset via the reset menu. From the History page the "A" menu button will go to the Main Display page. The "B" menu button will go to the History Reset page.

## Mode Page (4)

This page displays the current charge mode. When “ON” is displayed the batteries are being charged, provided that adequate windspeed is turning the turbine. This mode allows the turbine to turn all of the time unless regulating battery voltage or disabled with the Diversion Switch or from this Mode page. When “OFF” is displayed any power being produced by the turbine is diverted to the dumpload by the controller. The “OFF” mode will brake the turbine and prevent it from turning in light winds.

The Controller can switch to “OFF” (Stop) mode in any of the following three conditions:

“OFF\_REM” indicates turbine power is diverted to the dumpload due to a request from the Remote Display.

“OFF\_MAN” indicates turbine power is diverted to the dumpload due to a request from the Diversion Switch being placed in the “Stop” position.

“OFF\_REG” indicates turbine power is diverted to the dumpload due to automatic regulation at the prescribed voltage.

NOTE: The Diversion Switch set to “OFF” (Stop) manually overrides the Remote Display “ON” function.

The mode can be toggled using the “A” menu button. The “B” menu button will go to the Regulation Set page.

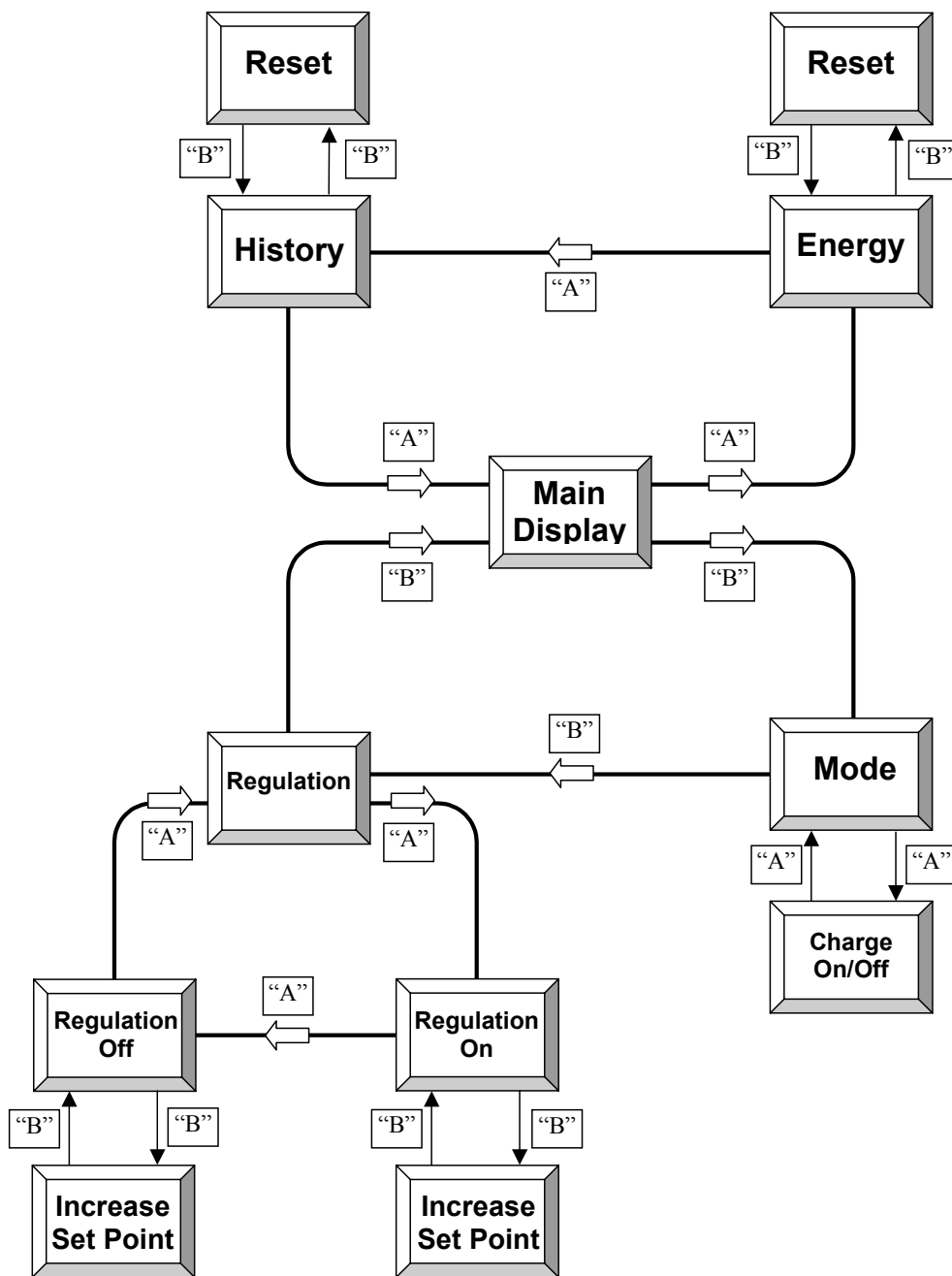
## Regulation Set Page (5)

Once the Whisper Controller Display is hooked to a Controller, the Controller no longer looks to its potentiometer for setting the regulation voltage. Instead, the regulation on and off voltages are set digitally at the Regulation Page. (See a description of the function of these settings in Section 11:5: Setting Regulation Parameters, page 17.) This page displays a menu allowing change to the Regulation On and Regulation Off set voltages. Selecting “change” using the “A” menu button will bring up a sub-page allowing the Regulation On voltage to be changed. Pressing the “B” menu button will increase the voltage to a maximum of 17.0v and will then roll back to 13.0v. Pressing the “A” menu button will go to the Regulation Off voltage sub-page. Pressing the “B” menu button will again increase the voltage to a maximum of one voltage setting lower than the Regulation On voltage and will then roll back to 12.0v. Pressing the “A” menu button will return back to the Regulation Set page. Pressing the “B” menu button from this page will return to the Main Display page.

Clearly the Regulation Off voltage cannot be specified above the Regulation On voltage.

## Display Menu Functions

Ref #	Page	Display			Menu Select	Effect
1	Main	On or Off		00.0 mph	“A”	go to A ring
		11.3V	00.0A	000W	”B”	go to B ring
A Ring						
2	Energy	KWh	0000	000.00	”B”	go to reset menu
		kAh	0000	000.00		
	Reset Menu	Reset kWh?	A: RESET	B: CANCEL	“A”	reset power
					”B”	return to reset menu
3	History	Mph:	00.0a	00.0p	”B”	go to reset menu
		pow:	00.0a	00.0p		
	Reset Menu	Reset Page?	A: RESET	B: CANCEL	“A”	reset readings
					”B”	return to reset menu
B Ring						
4	Mode	Mode:	On		“A”	batteries charging
		A: OFF_REM	B: SKIP		”B”	go to regulation set menu
		Mode:	Off		“A”	batteries diverted
		A: ON_REM	B: SKIP		”B”	go to regulation set menu
5	Regulation Set	REGULATION SET:			“A”	change regulation point
		A: CHANGE	B: SKIP		”B”	return to Main Menu
	Regulation On	Regulation ON voltage:			“A”	go to regulation off menu
		15.8v			”B”	Increase ON set voltage
	Regulation Off	Regulation OFF voltage:			“A”	go to regulation set menu
		12.8V			”B”	Increase OFF set voltage



Display Menu Ring Structure

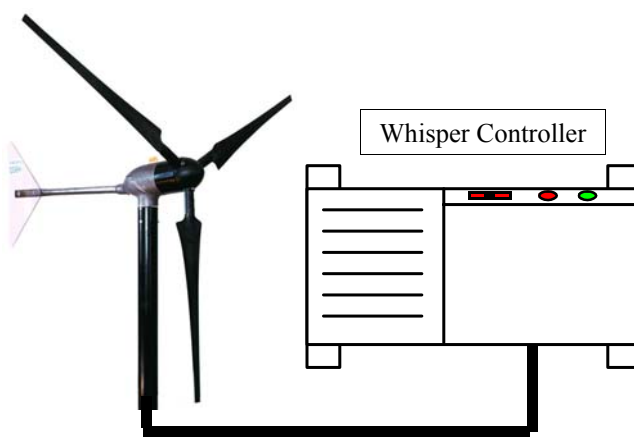


## 13. MAINTENANCE-MONTHLY

### 1. TEST DIVERSION CONTROL

*(This checks electrical wiring.)*

DIVERT THE LOAD (BY SETTING THE DIVERSION SWITCH TO "STOP") IN A MODERATE WIND (CHARGING BUT NOT FURLING). No unusual difficulty or noise should be experienced in stopping the propeller. A noise during diversion can indicate a disconnected wire.



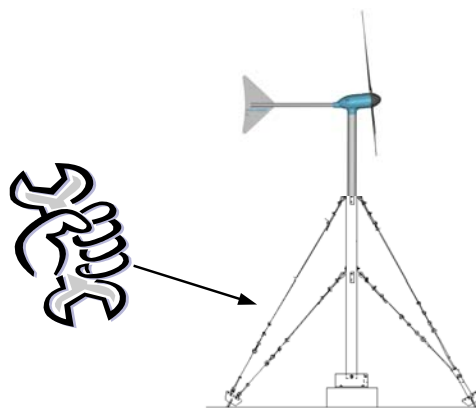
### 2. CHECK MECHANICAL CONDITION

WATCH AND LISTEN FROM THE TOWER BASE. Use binoculars. There should be no mechanical noise, rattle or vibration. The propeller and tail must not wobble. Lower or climb the tower for inspection, if indicated. There should be no buzzing either heard or felt with your hand on the tower mast. Go to Electrical Problems, if indicated.



### 3. INSPECT THE TOWER

Follow all inspection and maintenance requirements of the tower manufacturer. Tighten all nuts and bolts, especially wire clips. Check for cracks and bent or broken parts at the anchors and base structure. Check for broken strands and tighten guys.



### 4. CHECK THE BATTERY

Add only distilled water if needed. (Consult your battery manufacturer guide.)

Tighten battery connections

Remove corrosion and protect terminals

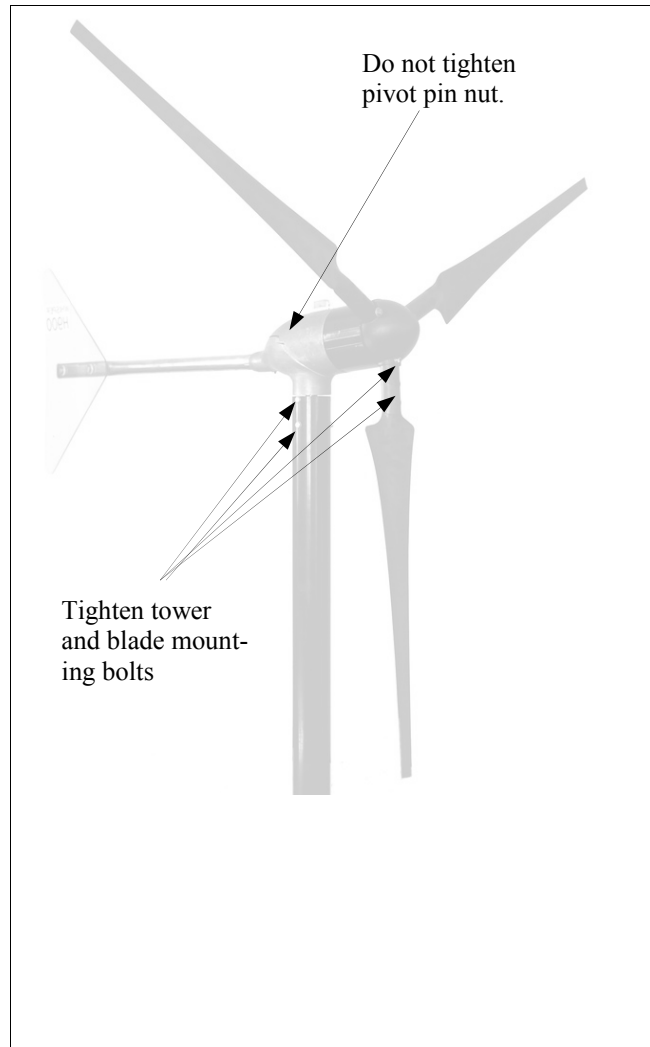
Wipe tops with baking soda solution.



## 14. MAINTENANCE - ANNUAL

### **LOWER TOWER AND GIVE WIND GENERATOR A COMPLETE MECHANICAL CHECK. FIX OR REPLACE ANY WORN OR LOOSE PARTS.**

- a) Check tightness of all tower mounting nuts and bolts and propeller mounting bolts.
- b) Check all bearings. Just perceptible play is acceptable.
- c) Clean the propeller with a mild detergent solution to remove all dirt and debris. Avoid scratching the surface. Replace blades if they are cracked or damaged.





# 15. TROUBLESHOOTING AND REPAIR

## WIND GENERATOR SYSTEM

First, one must determine if the problem is mechanical or electrical. Refer to the two illustrations below and then proceed to the appropriate section.



**Propeller does not turn = Mechanical Problem**  
(Or turns slowly)

Proceed directly to **Table: Symptoms of Mechanical Problems, Page 25**

**Propeller turns slowly = Electrical Problem**

Proceed to **ELECTRICAL DIAGNOSIS, PAGE 26**, to diagnose the type of electrical problem the turbine is experiencing.

**Table: Symptoms of Mechanical Problems**

Symptom	Possible Cause	Correction
1. Propeller is stationary, even in high winds	a. Ice in generator, or ice on propeller b. Debris between rotor and stator  c. Loose, broken or rubbing magnet  d. Bad or worn bearing	i. Wait for warm weather i. Turn propeller gently by hand and blow or use piece of paper to dislodge debris i. Contact factory or distributor to remove rotor and re-glue magnets i. Contact factory or distributor to replace bearing(s)
2. Propeller will not turn at all except in high wind, scraping or rubbing sound at low rpm, always stops at same propeller position	a. Same as above, except more likely to be high magnet or bad bearing.  b. Swelled wire keepers due to high moisture	i. Same as above  i. Contact factory.
3. Propeller is harder starting, output is lower & there is more propeller noise than usual. Seems out of balance.	a. Ice on blade  b. Dirty blade c. Split, warped or damaged blade  d. One or more blades on backwards	i. Wait for warm weather. Prop will eventually shed ice, leave running unless there is substantial vibration i. Clean with mild detergent i. Contact factory or distributor to replace broken or damaged blade i. See blade installation
4. Propeller turns a little, never spins rapidly	a. Blades on backwards. (See blade installation)	i. Turn blades over. Leading edge advances clockwise from upwind view.
5. Tail, generator and tower vibrate or shake excessively at all or some wind speeds	a. Blade out of balance b. Blade not tracking  c. Rotor (magnet can) out of balance  d. blade plate out of balance	i. Contact factory to replace blade i. Contact factory to replace mounting plate i. Return to factory or distributor  i. Return to factory or distributor
6. Rattle or clunking from generator	a. Generator loose in tower. Loose rotor (magnet can) on shaft, loose tail, missing rubber bumper, wires slapping inside of mast, governor pivot bolt loose.  c. Worn bearings d. Shaft broken	i. Inspect for damage. Repair as required. Retighten mounting hardware, use Loctite or equivalent thread-locking compound.  i. Contact factory to replace bearings i. Contact factory to replace shaft

## ELECTRICAL DIAGNOSIS - DETERMINING THE TYPE OF ELECTRICAL PROBLEM

Electrical problems can be in the generator, wiring, or in the Whisper Controller. Determine which as follows:

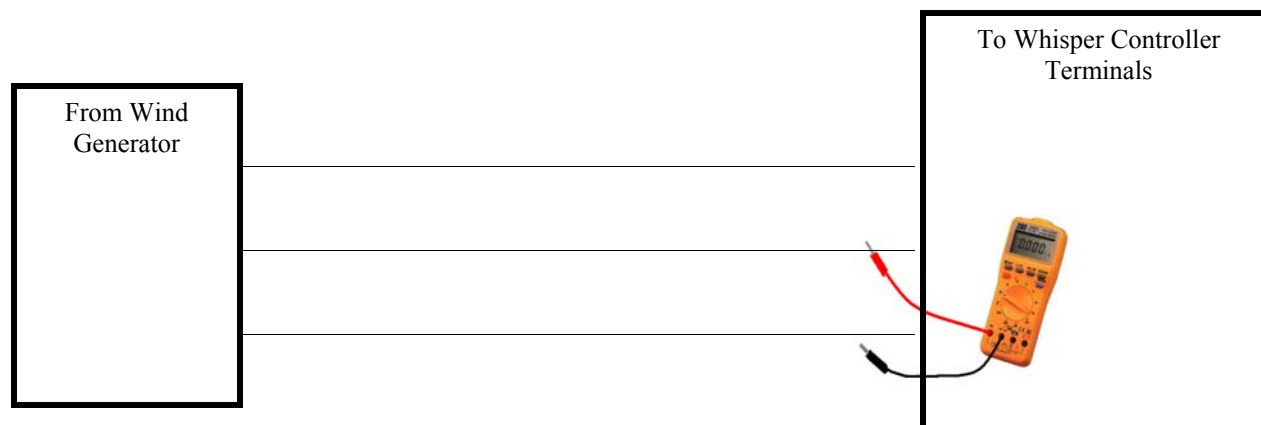
1. **Wind generator will not start (blades turn slowly as if the diversion switch is engaged):** On a day of moderate wind, disconnect the three wires from the wind generator one at a time at the Whisper Controller. If the wind generator starts, the wire that allowed it to start leads to a failed component in the Whisper Controller. Call the factory or the distributor to replace the failed component.

**OR**

2. **Wind generator still does not start:** On a day of moderate wind, disconnect any two wires. If the wind generator starts, the problem is most likely in the Whisper Controller. Go to **Table: Symptoms of Whisper Controller Problems, page 28**. If the wind generator still does not start the problem is in the tower wiring or the wind generator. Go to **Table: Symptoms of Electrical Problems, page 27**.

**OR**

3. **Wind generator is running, but may have an electrical problem:** As directed below, use a voltmeter to read the voltage across the leads and see the voltmeter test section below as a guide to possible problems.



### Voltmeter Test

1. Voltage increases and decreases slowly relative to the wind speed across all combinations of paired wires = Everything ok.
2. No voltage across two wires = One wire from wind generator not carrying power. Check in order: Check the tower wiring and Whisper Controller connections to insure proper wiring. If the wiring is correct contact authorized distributor or factory for further assistance.
3. Voltage significantly higher across two wires than the others = Contact the distributor or the factory, possibly a shorted diode.
4. Voltage significantly lower across two wires than the others = Bad connection at wind turbine voltage connections or faulty stator winding. Report this failure to your distributor or the factory.
5. Should these results appear inconclusive in determining the problem proceed directly to **Table: Symptoms of Electrical Problems, page 27**, or **Table: Symptoms of Whisper Controller Problems, page 28**.

**Table: Symptoms of Electrical Problems**

Symptom	Possible Cause	Correction
1. Propeller turns slowly even in strong wind, but will not start	a. Diversion switch is ON b. Battery is dead (voltage less than 1/2 nominal) c. Incorrect turbine wiring d. Short circuit in wiring from generator to Whisper Controller e. failed component in Whisper Controller f. Short circuit in brush card or slip ring assembly g. Short in turbine h. Load or battery disconnected	i. Turn DIVERSION switch to BATTERY position. i. Disconnect loads and /or battery from Whisper Key until generator starts i. Rewire i. Check wiring from tower i. See "Voltmeter Test, page 26" i. Contact distributor or factory i. Contact distributor or factory i. Check all connections
2. Propeller runs too fast, may whistle, no output, no unusual mechanical noise	a. Two or three wires open between turbine and Whisper Controller. b. Whisper Controller diodes open or wire is disconnected at diode terminal	i. See "Voltmeter Test page 26" i. See "Voltmeter Test page 26"
3. Propeller runs too fast, may whistle, low output, no unusual mechanical noise	a. Battery voltage over 50% high b. Turbine may be in regulation, but the wind may be too high for the turbine to stop	i. Examine battery specifications and regulation set point, replace improperly-sized battery if necessary ii. Wait for calmer conditions and engage diversion switch to determine proper operation
4. Propeller runs too fast, may whistle, output less than 50% for wind speed, growling, buzzing or vibration felt by hand or mast	a. Disconnected wire between the turbine and the Whisper Controller b. One open or disconnected diode c. One slip ring or brush not making good connection.	i. See "Voltmeter Test, page 26" i. See "Voltmeter Test, page 26" i. Contact distributor or factory
5. Propeller runs too slowly, output low, no unusual mechanical noise	a. Battery voltage low, or a dead battery. b. Incorrect turbine wiring	i. Disconnect loads and let battery charge. i. Check wind generator wiring connections or rewire

**Table: Symptoms of Whisper Controller Problems**

Symptom	Possible Cause	Correction
1. Propeller turns slowly, even in strong wind	<ul style="list-style-type: none"> <li>a. Brake Switch ON</li> <li>b. Shorted diode</li> <li>c. Dead or disconnected battery</li> <li>d. Short in wiring to turbine</li> </ul>	<ul style="list-style-type: none"> <li>i. Move switch to "OFF"</li> <li>i. Contact distributor or factory</li> <li>i. Insure battery voltage at Controller terminals is at least 10v, 20v, 32v, or 44v depending on turbine model</li> <li>i. See "Table of Electrical Problems" page 27</li> </ul>
2. Doesn't regulate, red light off and dumpload is cold	<ul style="list-style-type: none"> <li>a. Battery volts below setting</li> <li>b. Circuit Board bad</li> </ul>	<ul style="list-style-type: none"> <li>i. Adjust setting. Check battery with voltmeter. See page 17</li> <li>i. Contact distributor or factory</li> </ul>
3. Doesn't regulate, red light on and dumpload is cold	<ul style="list-style-type: none"> <li>a. Dumpload burned out or disconnected or wired wrong</li> <li>b. Bad connection from Circuit Board to power block</li> </ul>	<ul style="list-style-type: none"> <li>i. Contact distributor or factory</li> <li>i. Contact distributor or factory</li> </ul>
4. dumpload always on, red light on	<ul style="list-style-type: none"> <li>a. Wrong voltage setting</li> <li>b. Circuit Board bad</li> <li>c. Diversion switch set to "Stop" or disconnected.</li> </ul>	<ul style="list-style-type: none"> <li>i. Adjust setting. Check battery with voltmeter. See page 17</li> <li>i. Contact distributor or factory</li> </ul>



## 16. MECHANICAL REPAIRS AND PARTS REPLACEMENT

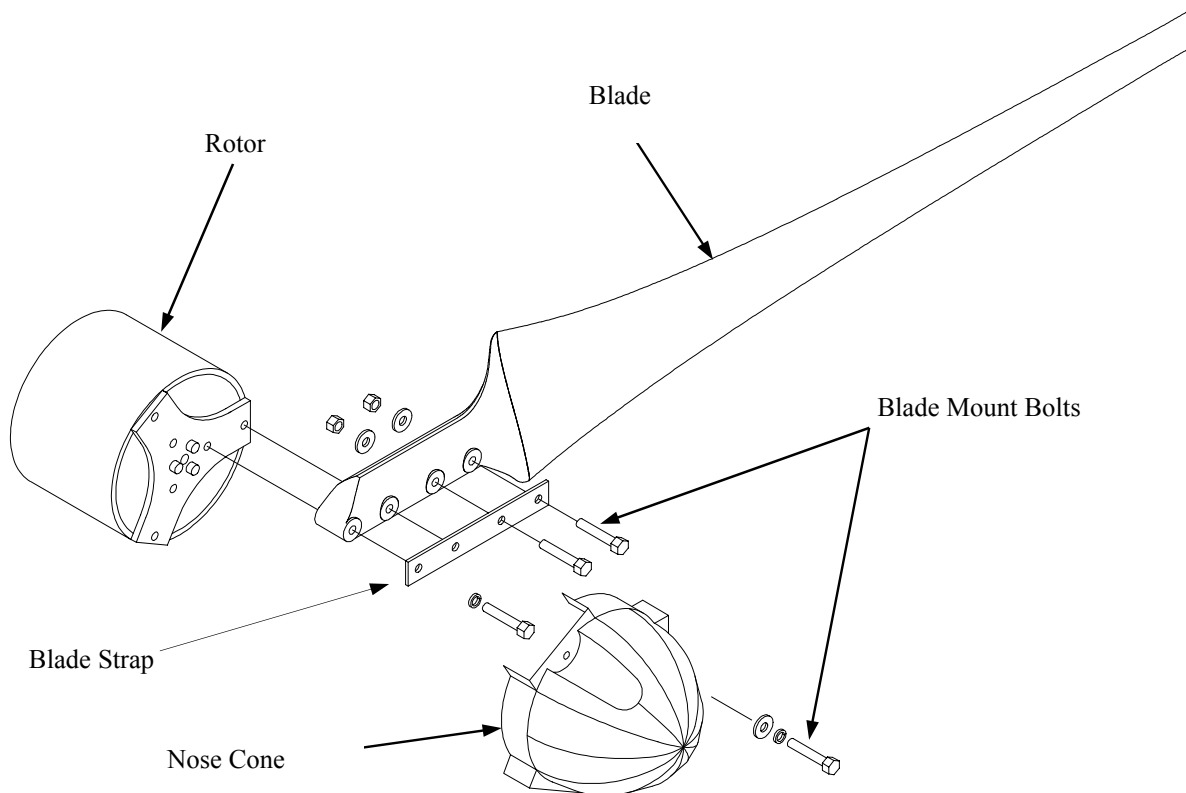


Do not attempt these repairs on top of the tower. Perform repairs only after tower has been lowered.

### BLADE UNMOUNTING

Remove blade, see Installation step #10, page 15 (Disassemble in reverse order). Remove rotor bolts and blade strap. See exploded view.

#### Typical Blade Assembly

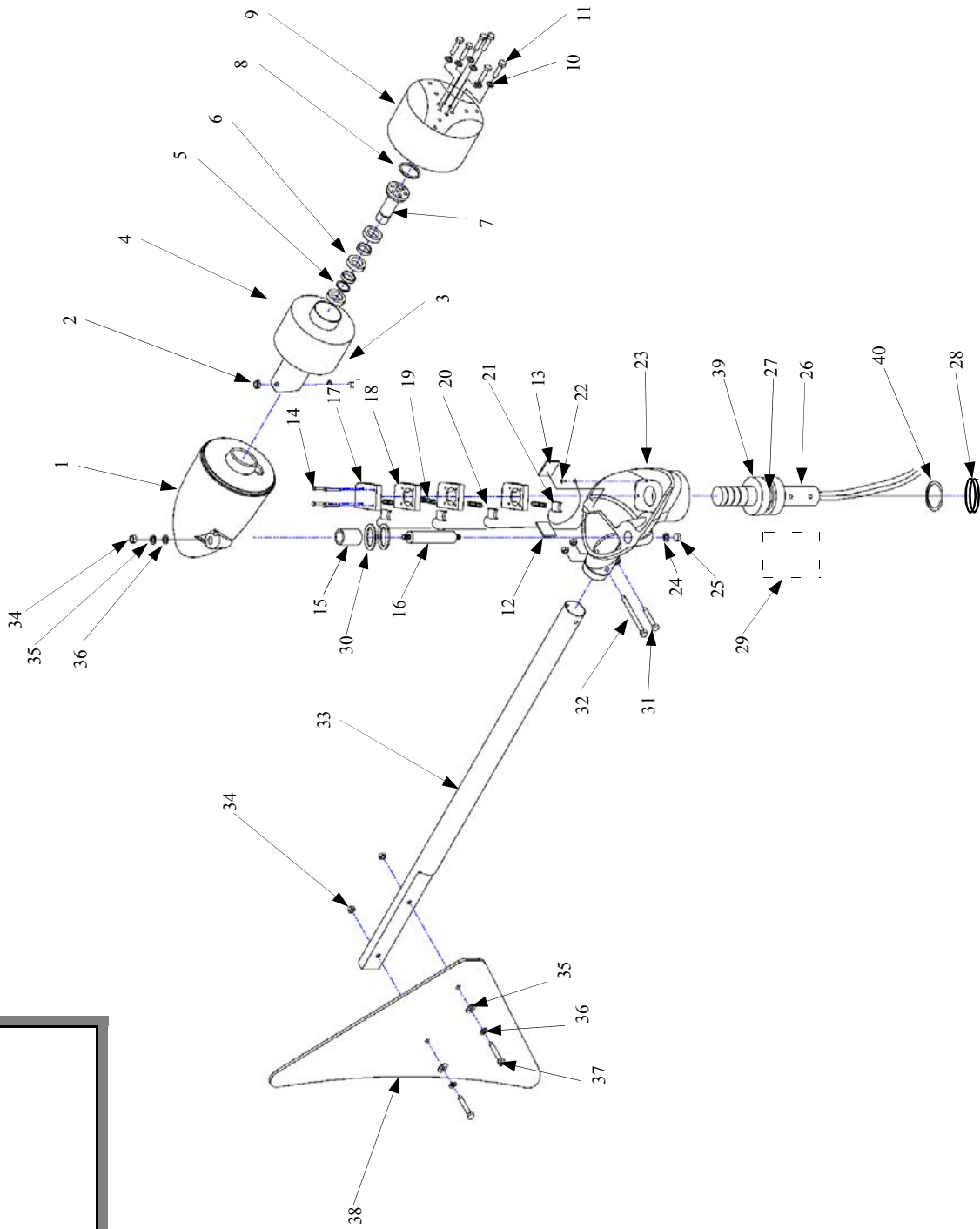


### MECHANICAL REPAIRS AND PARTS REPLACEMENT

The following two sheets provide a complete exploded view and parts list of the Whisper 100. It is included as a guide for replacement parts and troubleshooting. It is, however, recommended that any internal repair of the turbine be performed by the factory or your authorized distributor. Any unauthorized attempt to repair the turbine leading to damage is not covered by warranty.

### Exploded View Parts List-Whisper H40

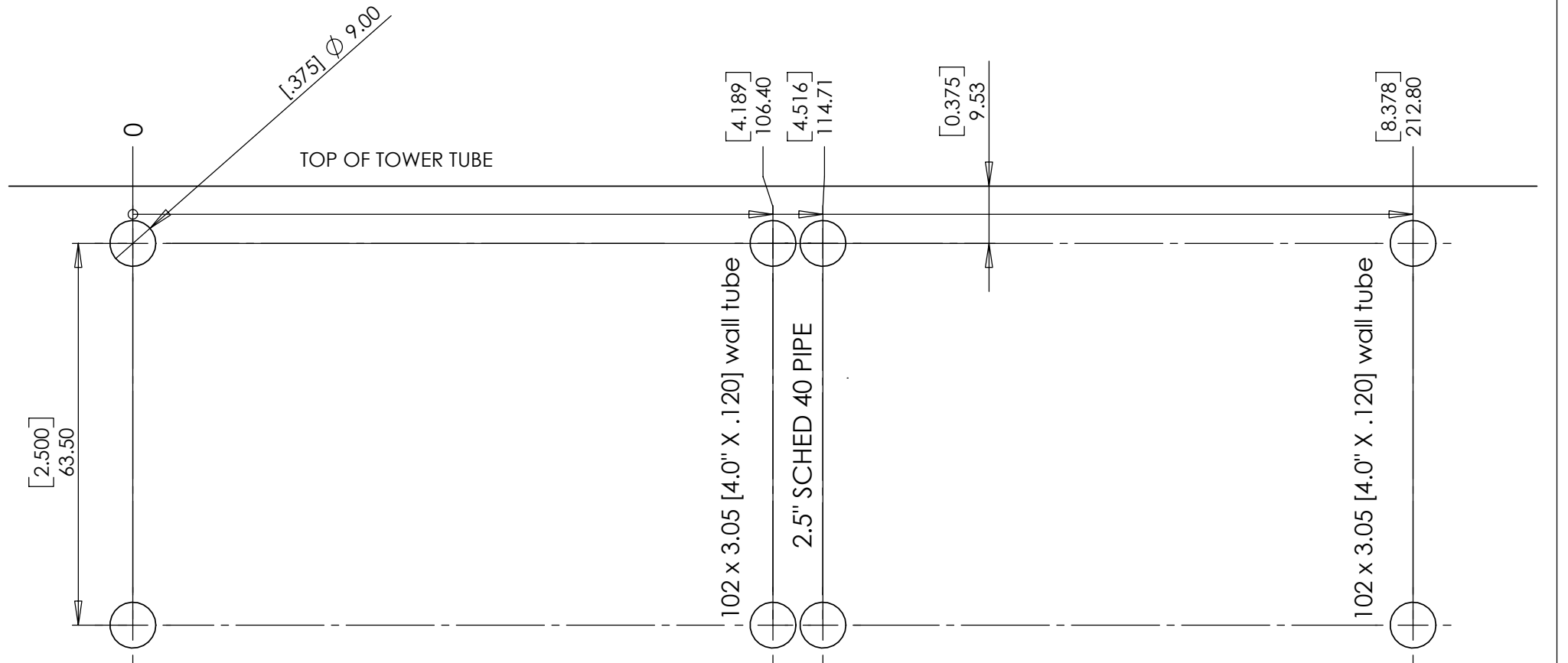
Item No.	Description	Quantity	Southwest Windpower Part # - H40
1	Casting Top	1	IAA05
2	Nylock Nut, M8	1	IAR17
3	Hex Head Cap Screw M8 x20	1	IAR07
4	Stator	1	IA015
5	Snap Ring (20 mm)	2	IAR18
6	Bearing	2	IAJ01
7	Spindle	1	IAP06
8	Snap Ring (47 mm)	1	IAR20
9	Rotor	3	IAE20
10	Washer M6, SS	6	IAR05
11	Socket Head M6 x 16	6	IAR06
12	Stop Head, Rubber Pad	1	IAL03
13	Stop Head, Rubber Pad	1	IAL04
14	Pan Head Screw, M5 x 60	4	IAR02
15	Bronze Sleeve Bearing	1	IAJ04A
16	Pivot Shaft	1	IAG06B
17	Brush Cover	1	IAF09
18	Brush Holder	3	IAF06B
19	Spring	4	IAF03
20	Brush with wire	3	IAF02
21	Brush, wire with terminal	1	IAF02, IAF01
22	Ground Screw M6 x 10	1	IAR03
23	Casting Bottom	1	IAB05
24	Washer, M8 x 16	1	IAR48
25	Nylock Nut, M8	1	IAR17
26	Yaw Shaft	1	IAD03
27	Snap Ring (62mm),	1	IAR21
28	Seal	1	IAR22
29	Light Assembly (Not Available)	1	IAK06
30	Bronze Thrust Washer	1	IAJ12
31	Hex Bolt, M8 x 25 SS	1	IAR09
32	Hex Bolt, M8 x 70 SS	1	IAR13
33	Tail Stock	1	IAQ05
34	Nylock Nut, M8	4	IAR17
35	Nylon Washer, M8 x 31	4	IAR16
36	SS Washer, M8 x 24	4	IAR15
37	Hex Bolts M8 x 55 SS	2	IAR12
38	Tail Fin	1	IAS03
39	Yaw Bearing	2	IAJ02
40	Yaw Shaft Snap Ring	1	IAR19



**Whisper 100 Exploded View**

Proprietary rights are included in the information disclosed herein. This information is submitted in confidence and neither the document nor the information disclosed herein shall be reproduced or transferred to other documents for manufacturing or for any other purpose except as specifically authorized in writing by Southwest Windpower.

REVISIONS			
REV.	DESCRIPTION	DATE	APPROVED
NC	initial release	sep 0	DAJ
A	sheet resized	dec 3	JGL



Dimensions in brackets are in inches.  
This sheet should be printed full scale

- Instructions :
1. Align template to top of tower tube and tape in place.
  2. With centre punch, mark hole centres for your tower configuration.
  3. Remove template, check dimensions and drill.

Unless otherwise specified dimensions are in mm. tolerances are : distances .X ± .5 angles ± 30' XX ± .1	CAD-generated drawing do not manually update		<b>Southwest Windpower</b> Flagstaff, Arizona U.S.A.
	APPROVALS	DATE	
	DRAWN D. Jones	25 sep 0	tower top drilling template
	CHECKED		
MATERIAL -	RESP ENG J.G. Lonjaret	9 dec 3	CAD FILE: WP01387A tower top drilling template
FINISH --	MFG ENG		DWG. N° WP01387
DO NOT SCALE DRAWING	QUAL ENG		SCALE 1 : 1   REV. A   SIZE A   sheet 1 of 1

ITEM NO.	PART OR IDENTIFYING N°	NOMENCLATURE OR DESCRIPTION	MATERIAL SPECIFICATION	QTY. REQD.	NEXT ASSY	USED ON
						H40-H80
PARTS LIST						
APPLICATION						